



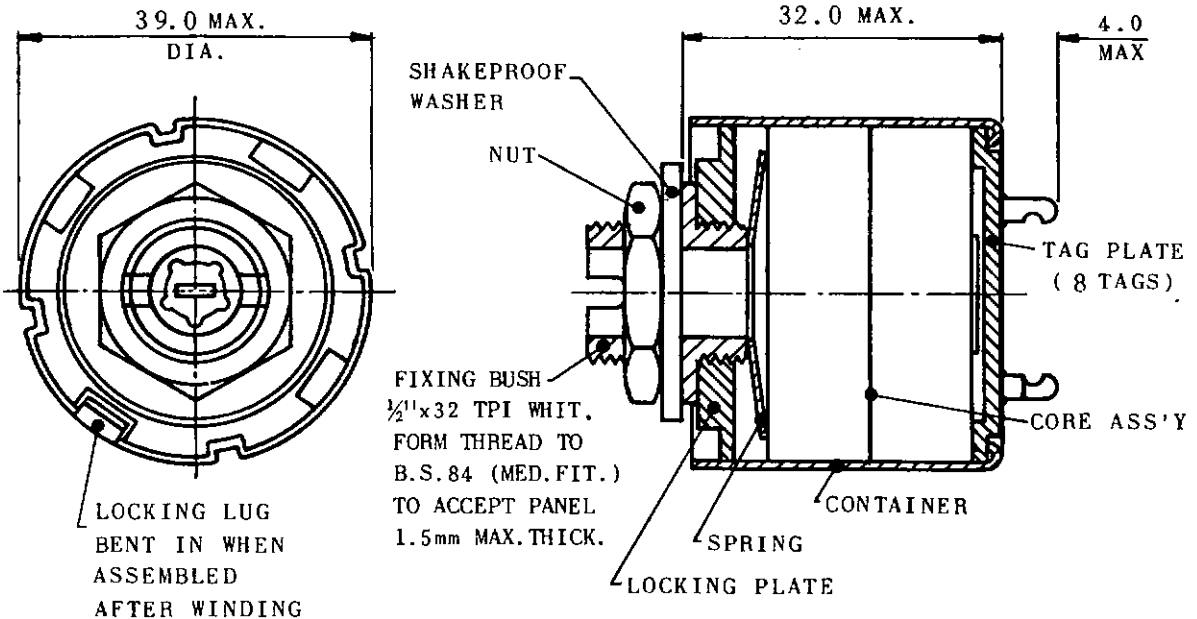
# PROVISIONAL DATA SHEET

## MULLARD LTD. Component Division

Mullard House, Torrington Place, London, W.C.1 Telephone: LANgham 6633

### 35 mm VINKOR TYPE LA 2103

This adjustable pot core is specially designed for high quality filter inductors operating at frequencies up to about 20 Kc/s.



All dimensions in millimetres

Coil formers are not supplied with the Vinkor but should be ordered separately. For details see data sheets DSC 76 and DSC 110.

For correct assembly and alignment of piece parts use aligning plug DT 2036, see data sheet DSC 86.

Non magnetic screwdriver type DT 2047 should be used for precise adjustment of inductance.

### ELECTRICAL AND MAGNETIC PROPERTIES

The following information relates to the core with the adjuster at the nominal mid-range position.

Effective permeability  $\mu_e$  . . . . . 160\*

Turns for 1 mH  $\alpha$  . . . . . 34.3

Initial permeability of the material  $\mu_i$  . . . . . > 1150

Residual plus eddy current dissipation factor ( $\text{Tan } \delta_{r+e}$ ):-

Typical value measured at  $B_{\text{max}} < 0.5$  gauss and 30 Kc/s  $1.3 \times 10^{-3}$

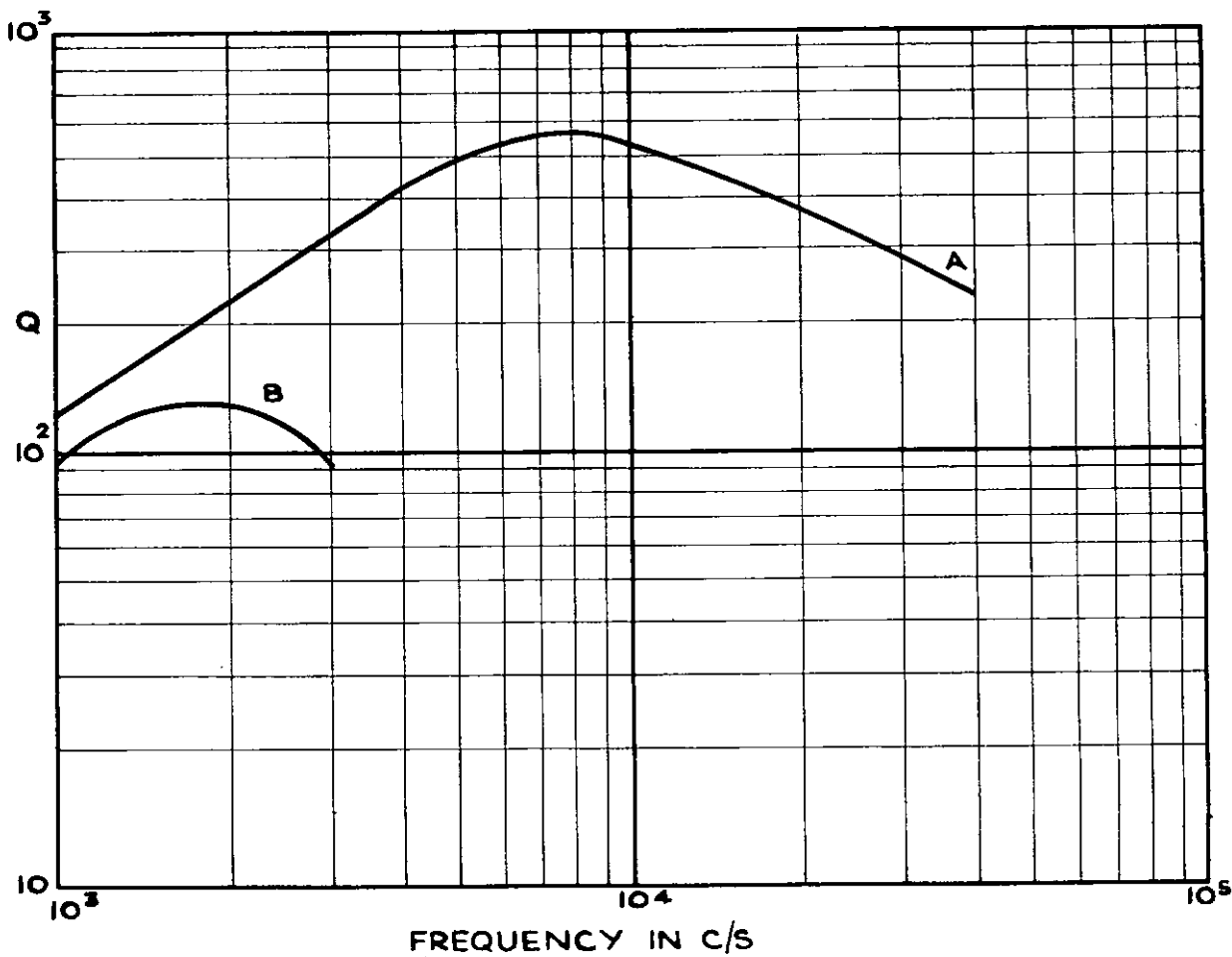
Typical value measured at  $B_{\text{max}} < 0.5$  gauss and 100 Kc/s  $3.6 \times 10^{-3}$

Hysteresis factor  $F_H = \frac{R}{L} \cdot \frac{1}{\text{I.f. } \sqrt{L}}$  . . . . . < 12.7

Temperature coefficient  $\frac{\Delta L}{L \cdot \Delta T}$  . . . . . -160 to +320 ppm/C<sup>0</sup>

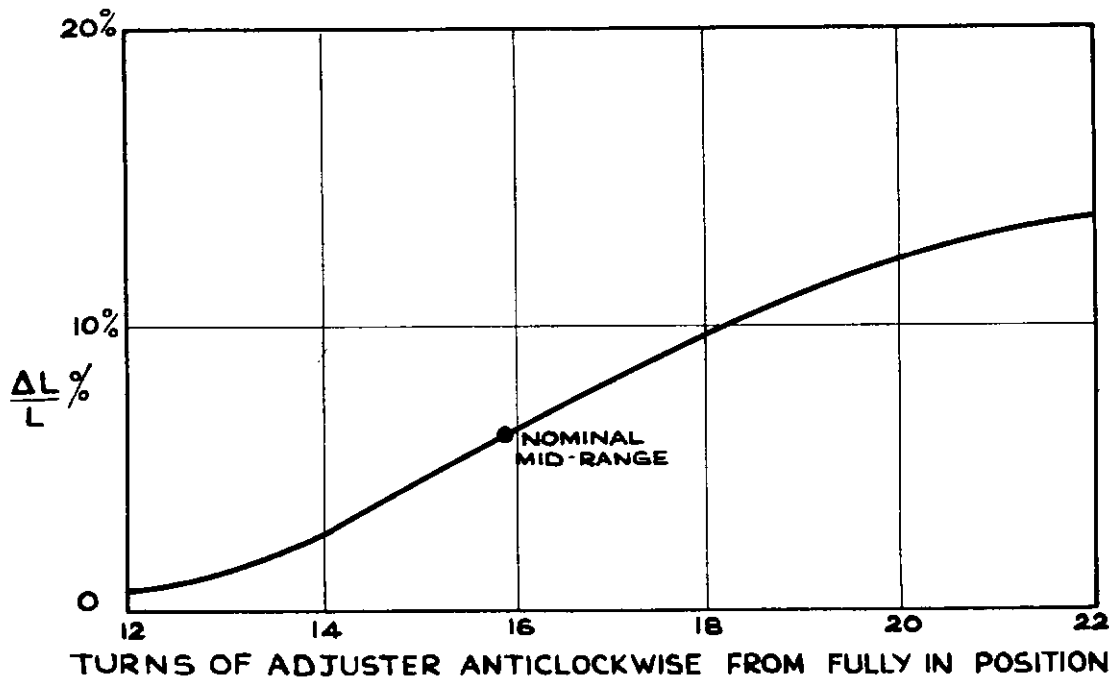
\*Without the adjuster the core has a  $\mu_e$  of . . . 150.4  $\pm$  3%

# TYPICAL Q CURVES



CURVE	COIL FORMER	TURNS	WIRE		L	CURVE	COIL FORMER	TURNS	WIRE		L
			S.W.G.	INSUL					S.W.G.	INSUL	
A	DT2012	400	30	FINE ENAM	136.0mH						
B	DT2012	5400	44	FINE ENAM	24.8 H						

# ADJUSTMENT CURVE





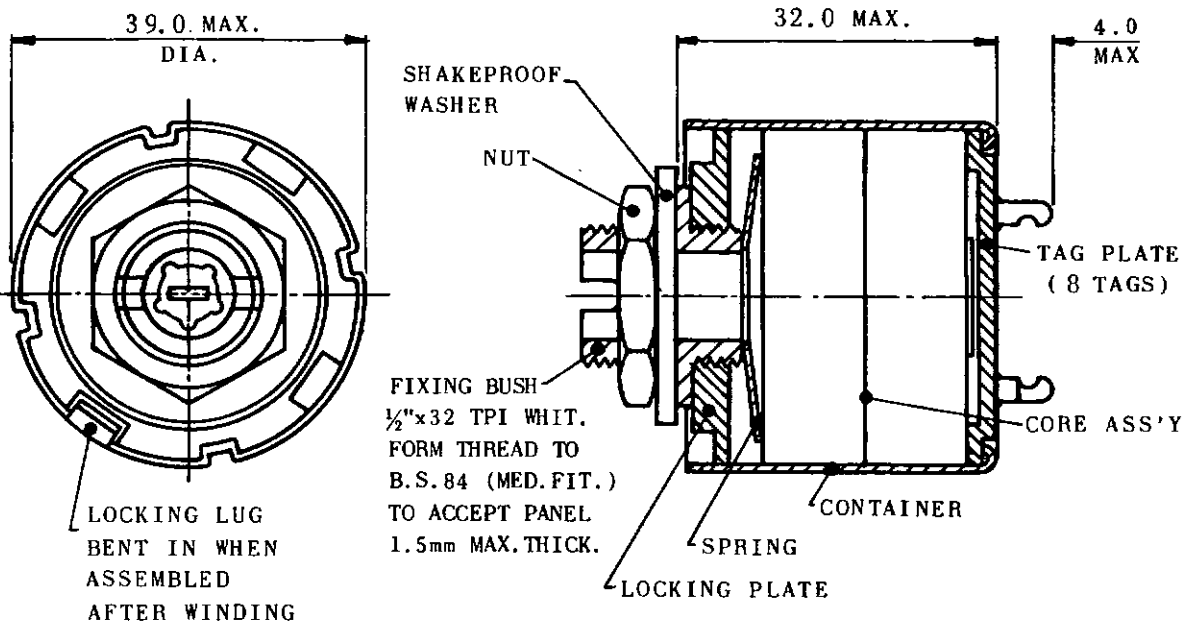
# PROVISIONAL DATA SHEET

## MULLARD LTD. Component Division

Mullard House, Torrington Place, London, W.C.1 Telephone: LANgham 6633

### 35 mm VINKOR TYPE LA 2104

This adjustable pot core is specially designed for high quality filter inductors operating at frequencies up to about 50 Kc/s.



All dimensions in millimetres

Coil formers are not supplied with the Vinkor but should be ordered separately. For details see data sheets DSC 76 and DSC 110.

For correct assembly and alignment of piece parts use aligning plug DT 2036, see data sheet DSC 86.

Non magnetic screwdriver type DT 2047 should be used for precise adjustment of inductance.

### ELECTRICAL AND MAGNETIC PROPERTIES

The following information relates to the core with the adjuster at the nominal mid-range position.

Effective permeability  $\mu_e$  . . . . . 100\*

Turns for 1 mH  $\alpha$  . . . . . 43.4

Initial permeability of the material  $\mu_i$  . . . . . >1150

Residual plus eddy current dissipation factor ( $\text{Tan } \delta_{r+e}$ ):-

Typical value measured at  $B_{\text{max}} < 0.5$  gauss and 30 Kc/s  $0.8 \times 10^{-3}$

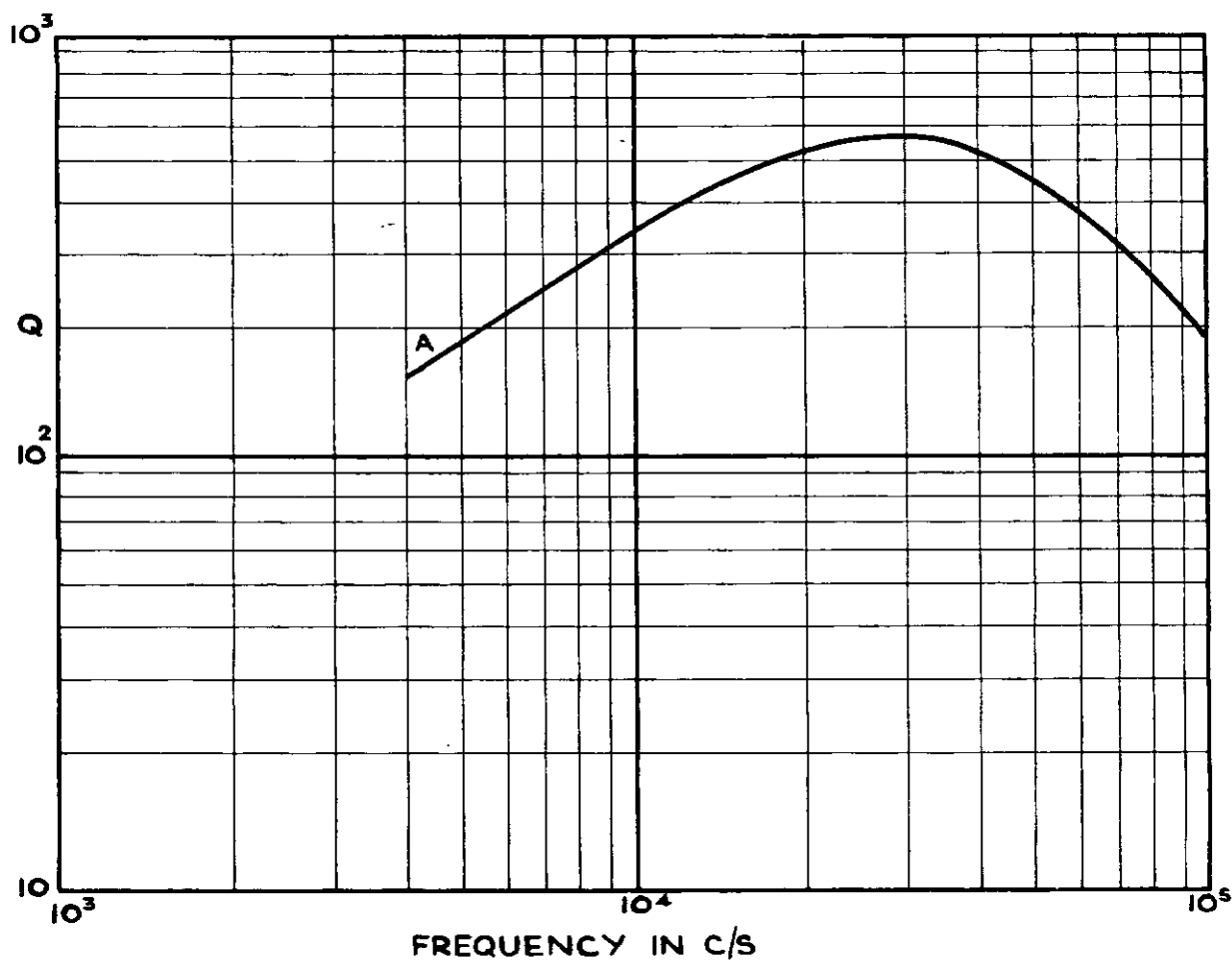
Typical value measured at  $B_{\text{max}} < 0.5$  gauss and 100 Kc/s  $2.3 \times 10^{-3}$

Hysteresis factor  $F_H = \frac{R}{L} \cdot \frac{1}{\text{I.f. } \sqrt{L}}$  . . . . . < 6.3

Temperature coefficient  $\frac{\Delta L}{L \cdot \Delta T}$  . . . . . -100 to +200 ppm/C°

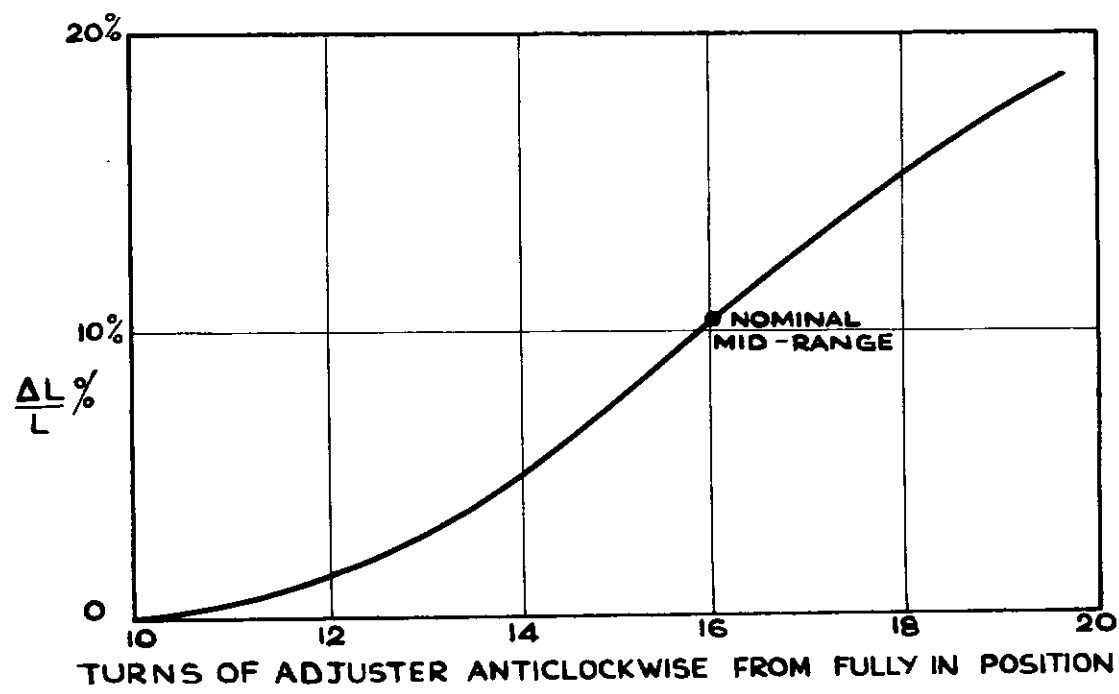
\*Without the adjuster the core has a  $\mu_e$  of . . . . .  $89.7 \pm 3\%$

# TYPICAL Q CURVES



CURVE	COIL FORMER	TURNS	WIRE		L	CURVE	COIL FORMER	TURNS	WIRE		L
			S.W.G.	INSUL					S.W.G.	INSUL	
A	DT 2012	180	30/46	ESS	17.2mH						

## ADJUSTMENT CURVE



1.7.1959

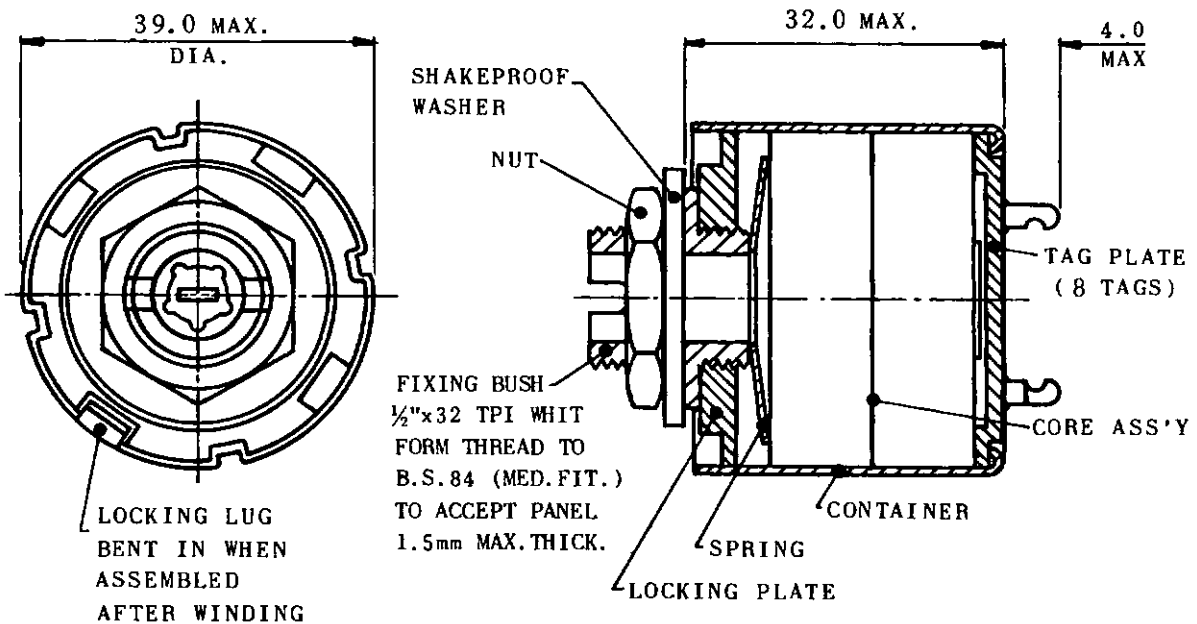
DSC 102/  
DSC 62/2

## MULLARD LTD. Component Division

Mullard House, Torrington Place, London, W.C.1 Telephone: LANgham 6633

### 35 mm VINKOR TYPE LA 2105

This adjustable pot core is specially designed for high quality filter inductors operating at frequencies up to about 200 Kc/s.



All dimensions in millimetres

Coil formers are not supplied with the Vinkor but should be ordered separately. For details see data sheets DSC 76 and DSC 110.

For correct assembly and alignment of piece parts use aligning plug DT 2036, see data sheet DSC 86.

Non magnetic screwdriver type DT 2047 should be used for precise adjustment of inductance.

### ELECTRICAL AND MAGNETIC PROPERTIES

The following information relates to the core with the adjuster at the nominal mid-range position.

Effective permeability  $\mu_e$  . . . . . 63\*

Turns for 1 mH  $\alpha$  . . . . . 54.7

Initial permeability of the material  $\mu_i$  . . . . . > 1150

Residual plus eddy current dissipation factor ( $\text{Tan } \delta_{r+e}$ ):-

Typical value measured at  $B_{\text{max}} < 0.5$  gauss and 30 Kc/s  $0.5 \times 10^{-3}$

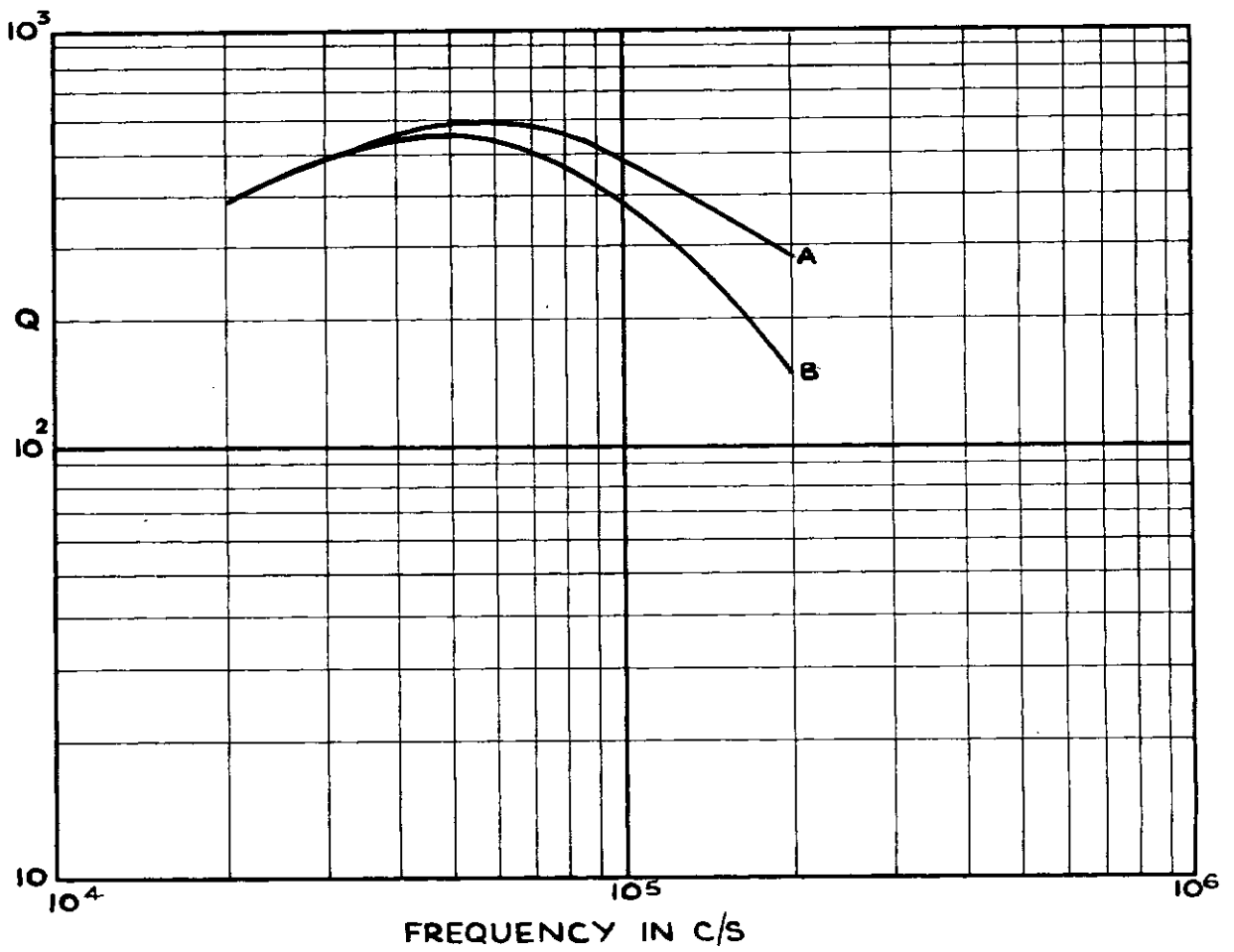
Typical value measured at  $B_{\text{max}} < 0.5$  gauss and 100 Kc/s  $1.4 \times 10^{-3}$

Hysteresis factor  $F_H = \frac{R}{L} \cdot \frac{1}{\text{i.f.} \sqrt{L}}$  . . . . . < 3.15

Temperature coefficient  $\frac{\Delta L}{L \cdot \Delta T}$  . . . . . -63 to +126 ppm/C<sup>o</sup>

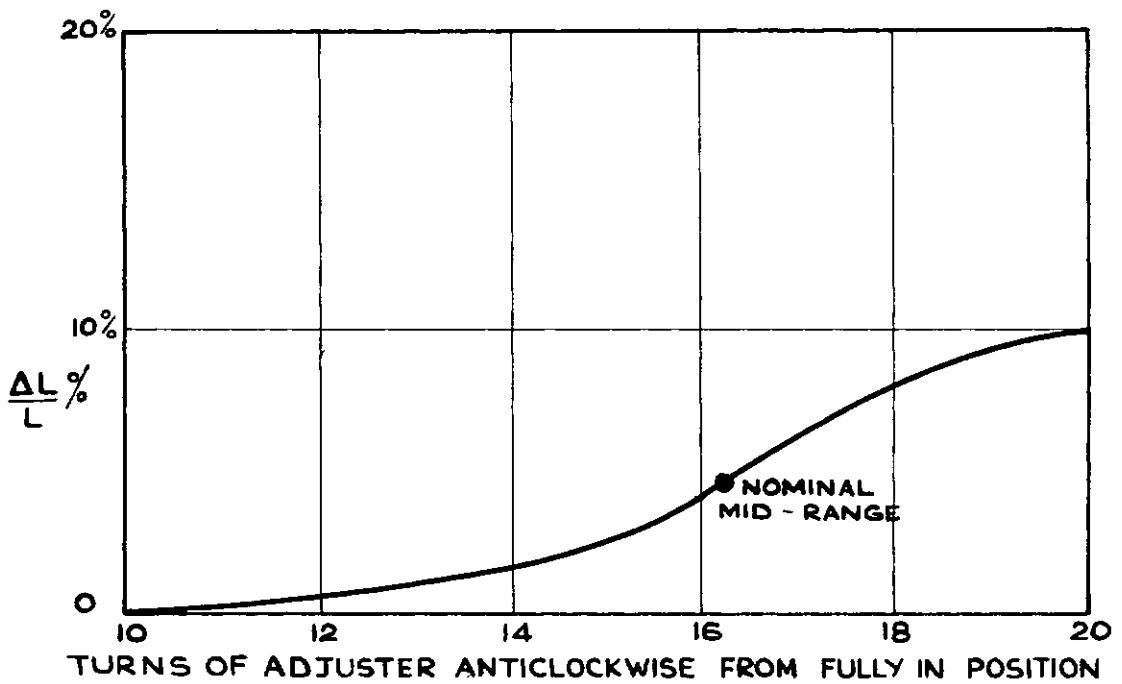
\*Without the adjuster the core has a  $\mu_e$  of . . . 60.1  $\pm$  2%

# TYPICAL Q CURVES



CURVE	COIL FORMER	TURNS	WIRE		L	CURVE	COIL FORMER	TURNS	WIRE		L
			S.W.G.	INSUL					S.W.G.	INSUL	
A	DT2012	42	8/44	EDS	5.90μH						
B	DT2012	122	30/44	ESS	4.98mH						

## ADJUSTMENT CURVE



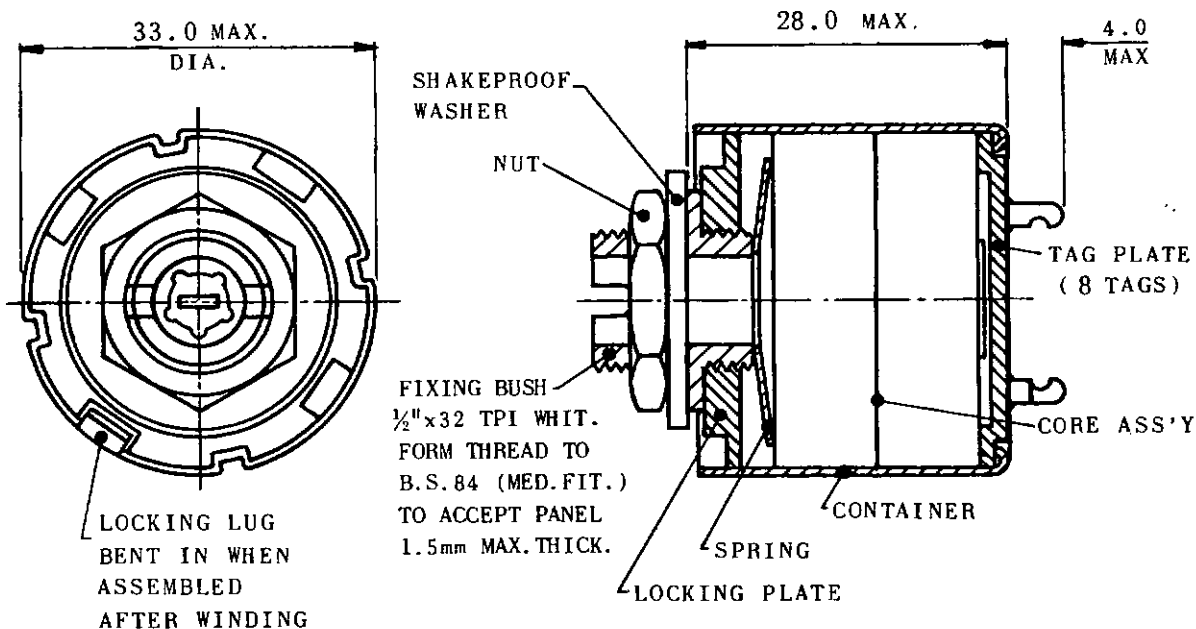
1.7.1959

## MULLARD LTD. Component Division

Mullard House, Torrington Place, London, W.C.1 Telephone: LAngham 6633

### 30 mm VINKOR TYPE LA 2203

This adjustable pot core is specially designed for high quality filter inductors operating at frequencies up to about 30 Kc/s.



All dimensions in millimetres

Coil formers are not supplied with the Vinkor but should be ordered separately. For details see data sheets DSC 75 and DSC 109.

For correct assembly and alignment of piece parts use aligning plug DT 2035, see data sheet DSC 86.

Non magnetic screwdriver type DT 2047 should be used for precise adjustment of inductance.

### ELECTRICAL AND MAGNETIC PROPERTIES

The following information relates to the core with the adjuster at the nominal mid-range position.

Effective permeability  $\mu_e$  . . . . . 160\*

Turns for 1 mH  $\alpha$  . . . . . 37.5

Initial permeability of the material  $\mu_i$  . . . . . > 1150

Residual plus eddy current dissipation factor ( $\text{Tan } \delta_{r+e}$ ):-

Typical value measured at  $B_{\text{max}} < 0.5$  gauss and 30 Kc/s  $1.3 \times 10^{-3}$

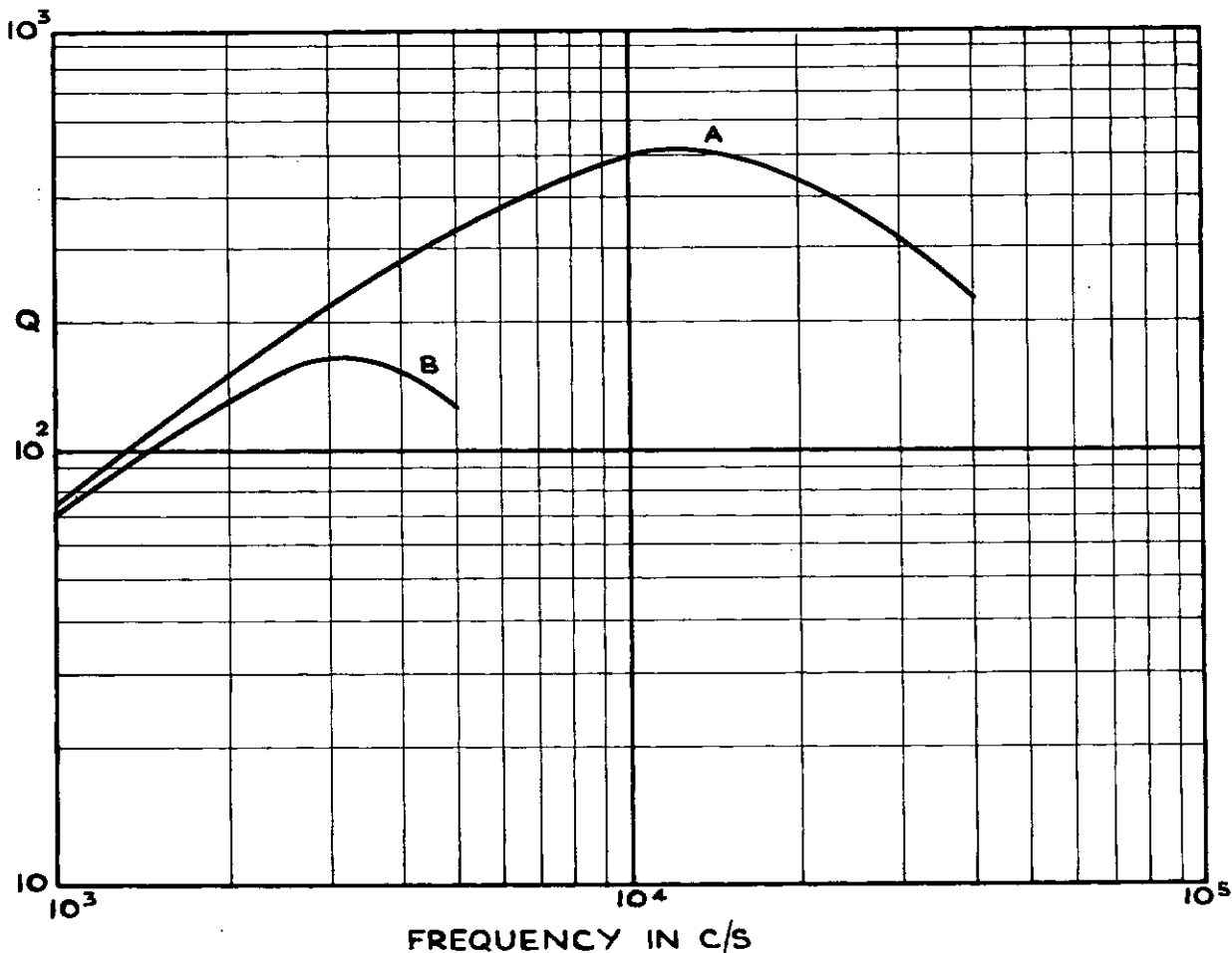
Typical value measured at  $B_{\text{max}} < 0.5$  gauss and 100 Kc/s  $3.1 \times 10^{-3}$

Hysteresis factor  $F_H = \frac{R}{L} \cdot \frac{1}{I.f. \sqrt{L}}$  . . . . . < 17.2

Temperature coefficient  $\frac{\Delta L}{L \cdot \Delta T}$  . . . . . -160 to +320 ppm/C<sup>o</sup>

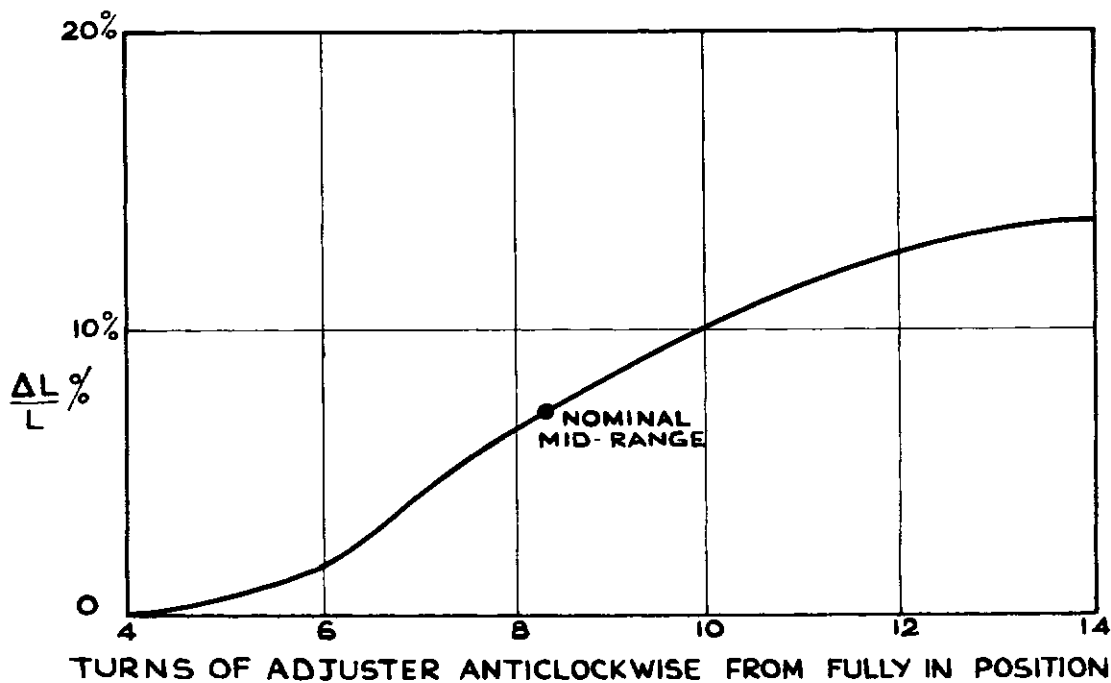
\*Without the adjuster the core has a  $\mu_e$  . . . . .  $148.3 \pm 3\%$

# TYPICAL Q CURVES



CURVE	COIL FORMER	TURNS	WIRE		L	CURVE	COIL FORMER	TURNS	WIRE		L
			S.W.G.	INSUL					S.W.G.	INSUL	
A	DT2011	260	30	FINE ENAM	47.9mH						
B	DT2011	3500	4.4	FINE ENAM	8.67H						

## ADJUSTMENT CURVE



1.7.1959

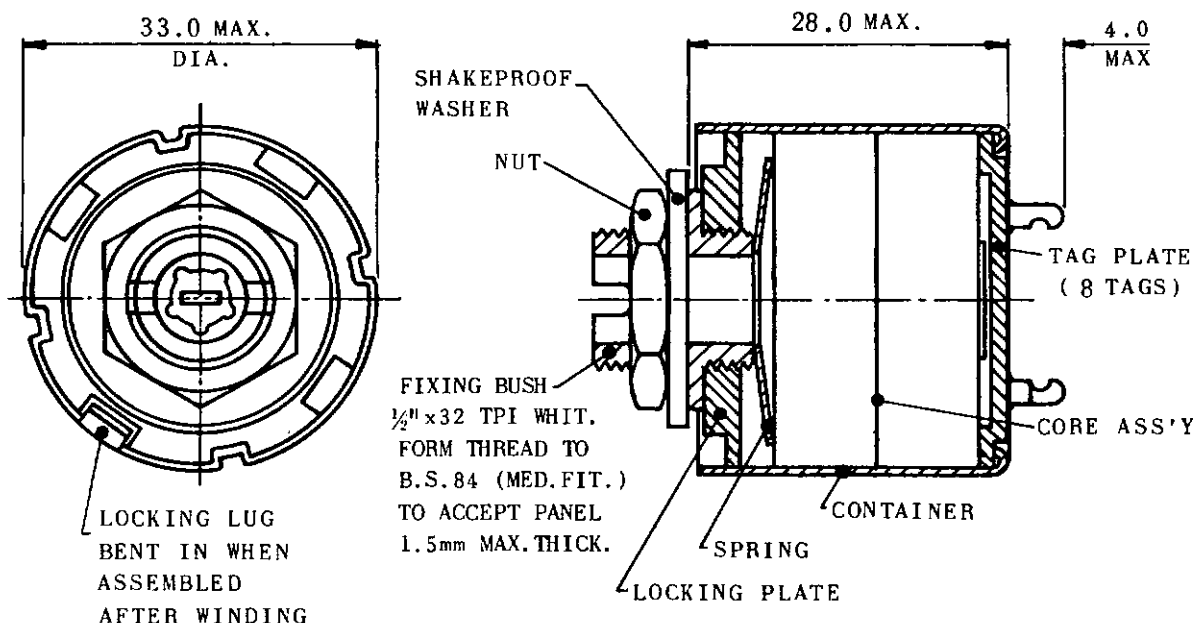


## MULLARD LTD. Component Division

Mullard House, Torrington Place, London, W.C.1 Telephone: LANgham 6633

### 30 mm VINKOR TYPE LA 2204

This adjustable pot core is specially designed for high quality filter inductors operating at frequencies up to about 70 Kc/s.



All dimensions in millimetres

Coil formers are not supplied with the Vinkor but should be ordered separately. For details see data sheets DSC 75 and DSC 109.

For correct assembly and alignment of piece parts use aligning plug DT 2035, see data sheet DSC 86.

Non magnetic screwdriver type DT 2047 should be used for precise adjustment of inductance.

### ELECTRICAL AND MAGNETIC PROPERTIES

The following information relates to the core with the adjuster at the nominal mid-range position.

Effective permeability  $\mu_e$  . . . . . 100\*

Turns for 1 mH  $\alpha$  . . . . . 47.5

Initial permeability of the material  $\mu_i$  . . . . . > 1150

Residual plus eddy current dissipation factor ( $\text{Tan } \delta_{r+e}$ ):-

Typical value measured at  $B_{\text{max}} < 0.5$  gauss and 30 Kc/s  $0.8 \times 10^{-3}$

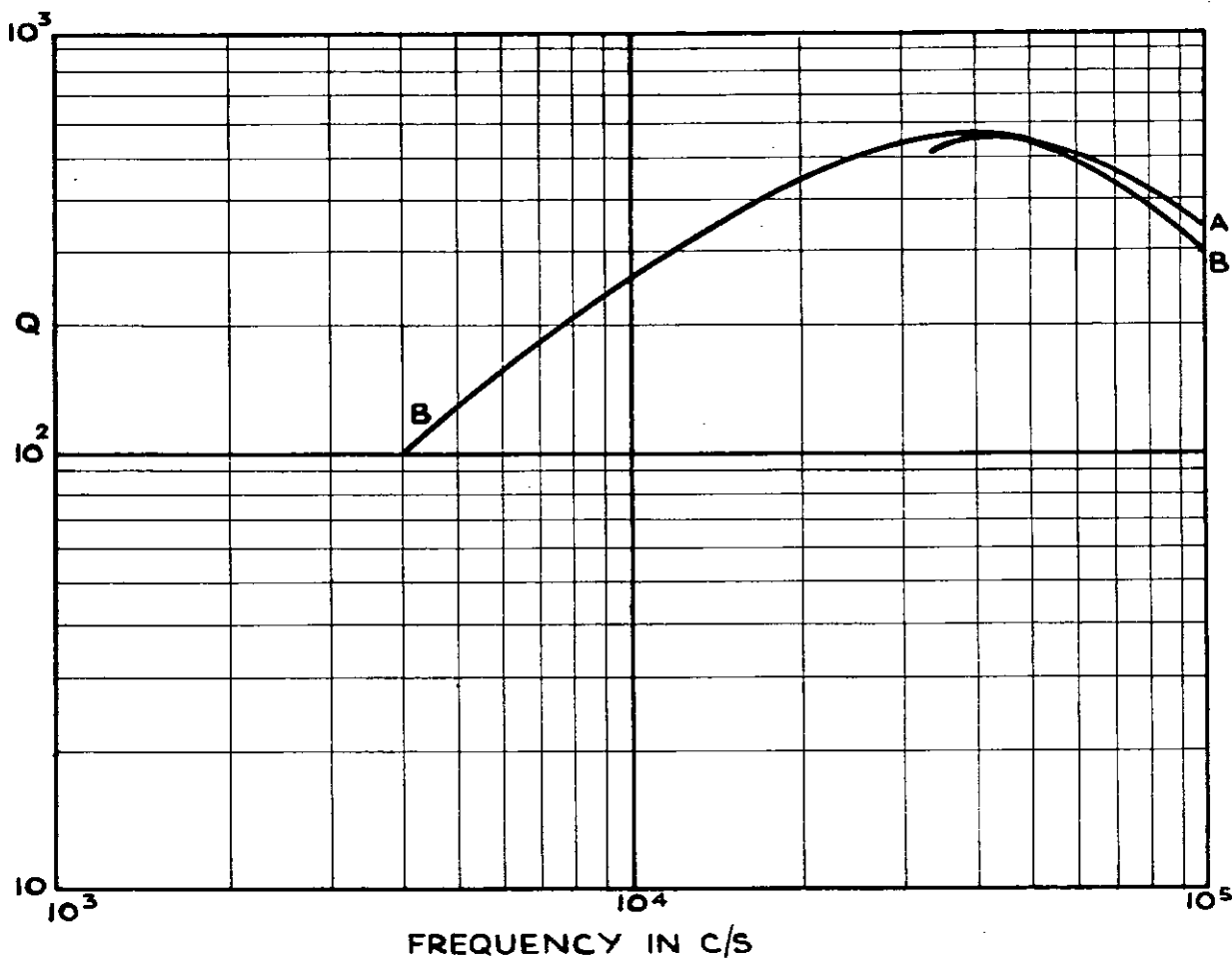
Typical value measured at  $B_{\text{max}} < 0.5$  gauss and 100 Kc/s  $2.0 \times 10^{-3}$

Hysteresis factor  $F_H = \frac{R}{L} \cdot \frac{1}{\text{I.f.} \sqrt{L}}$  . . . . . < 8.5

Temperature coefficient  $\frac{\Delta L}{L \cdot \Delta T}$  . . . . . -100 to +200 ppm/C<sup>o</sup>

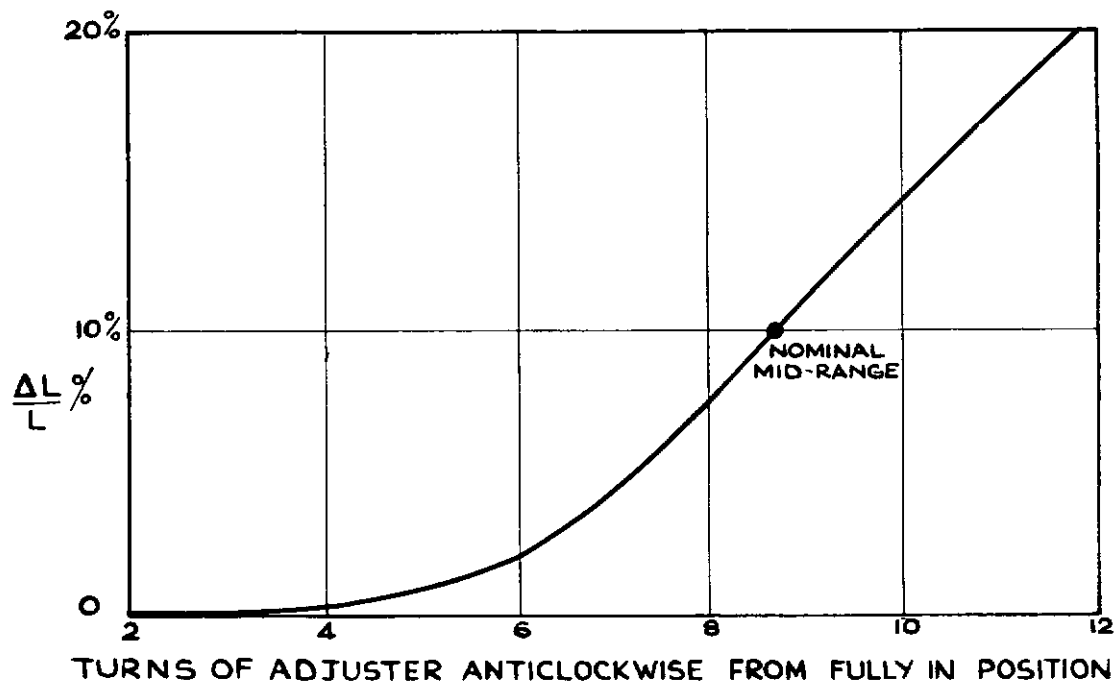
\*Without the adjuster the core has a  $\mu_e$  of . . . 90.0  $\pm$  3%

# TYPICAL Q CURVES



CURVE	COIL FORMER	TURNS	WIRE		L	CURVE	COIL FORMER	TURNS	WIRE		L
			S.W.G.	INSUL					S.W.G.	INSUL	
A	DT 2011	129	30/46	E.S.S	7.38mH						
B	DT 2011	176	30/47	E.S.S	13.7mH						

## ADJUSTMENT CURVE

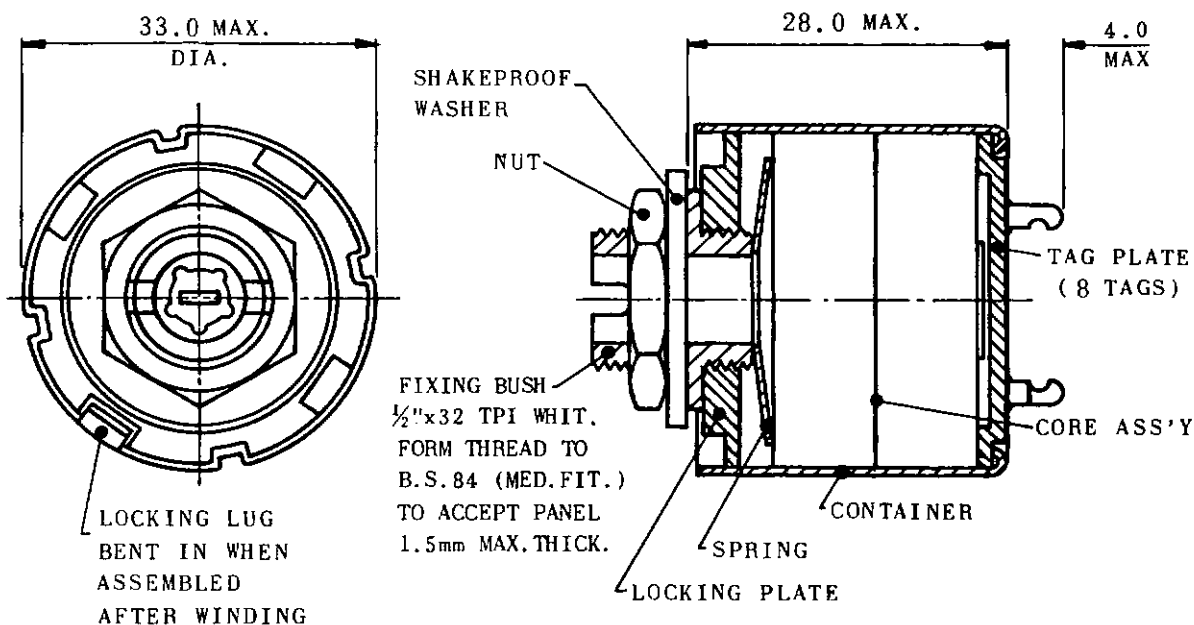


## MULLARD LTD. Component Division

Mullard House, Torrington Place, London, W.C.1 Telephone: LANgham 6633

### 30 mm VINKOR TYPE LA 2205

This adjustable pot core is specially designed for high quality filter inductors operating at frequencies up to about 200 Kc/s.



All dimensions in millimetres

Coil formers are not supplied with the Vinkor but should be ordered separately. For details see data sheets DSC 75 and DSC 109.

For correct assembly and alignment of piece parts use aligning plug DT 2035, see data sheet DSC 86.

Non magnetic screwdriver type DT 2047 should be used for precise adjustment of inductance.

### ELECTRICAL AND MAGNETIC PROPERTIES

The following information relates to the core with the adjuster at the nominal mid-range position.

Effective permeability  $\mu_e$  . . . . . 63\*

Turns for 1 mH  $\alpha$  . . . . . 59.8

Initial permeability of the material  $\mu_i$  . . . . . >1150

Residual plus eddy current dissipation factor ( $\text{Tan } \delta_{r+e}$ ):-

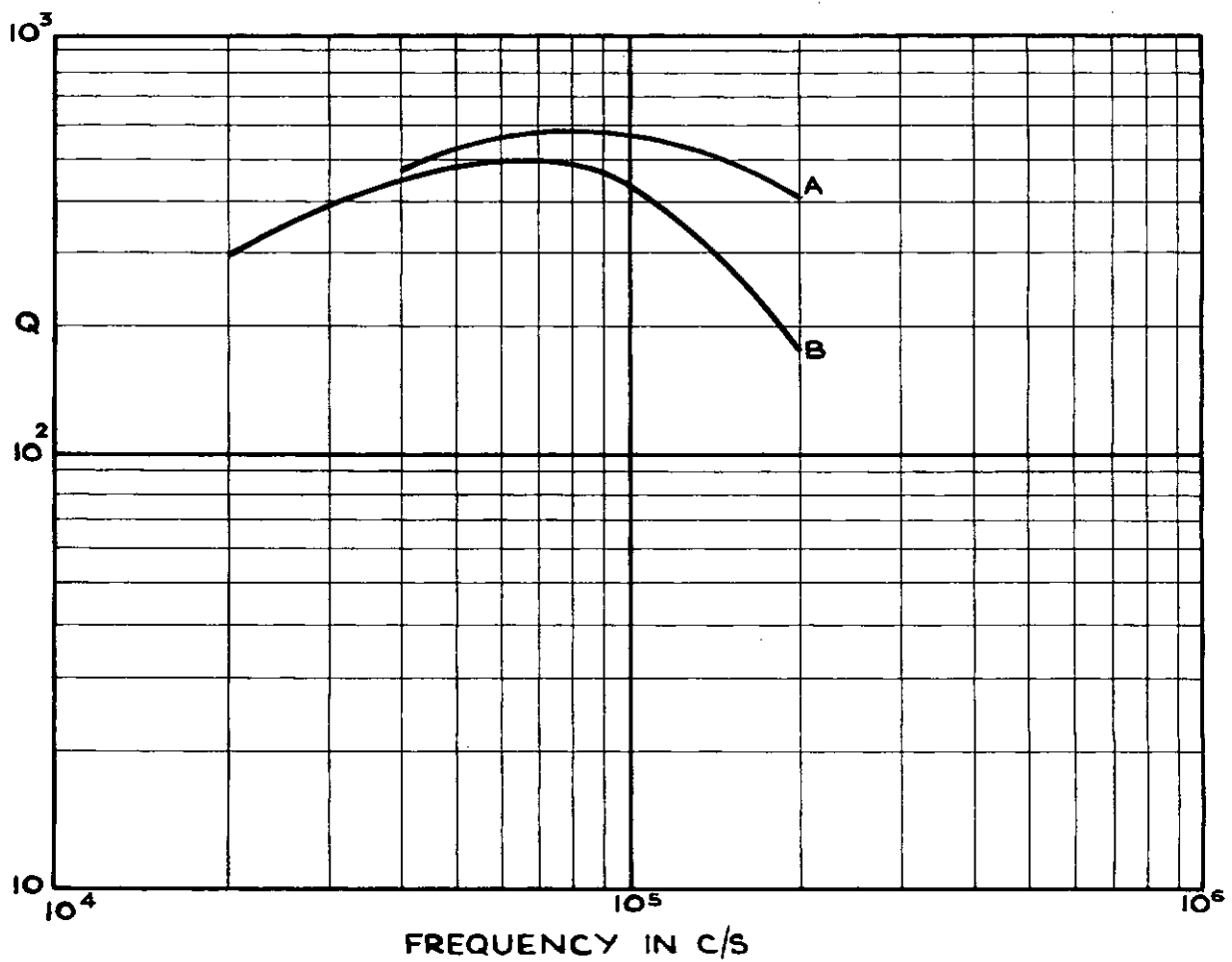
Typical value measured at  $B_{\text{max}} < 0.5$  gauss and 30 Kc/s  $0.5 \times 10^{-3}$

Typical value measured at  $B_{\text{max}} < 0.5$  gauss and 100 Kc/s  $1.3 \times 10^{-3}$

Hysteresis factor  $F_H = \frac{R}{L} \cdot \frac{1}{\text{I.f.} \sqrt{\mu}}$  . . . . . <4.25

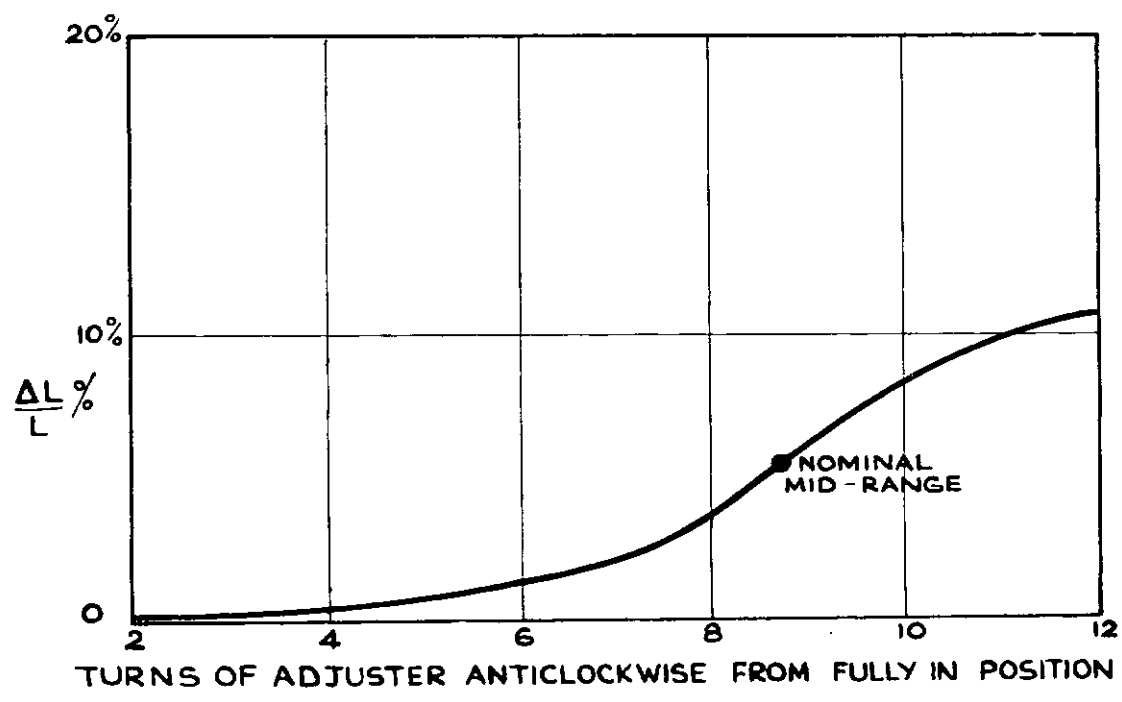
Temperature coefficient  $\frac{\Delta L}{L \cdot \Delta T}$  . . . . . -63 to +126 ppm/C<sup>0</sup>

\*Without the adjuster the core has a  $\mu_e$  of . . . . .  $59.5 \pm 2\%$



CURVE	COIL FORMER	TURNS	WIRE		L	CURVE	COIL FORMER	TURNS	WIRE		L
			S.W.G.	INSUL					S.W.G.	INSUL	
A	DT2011	42	48/44	E.D.S	494 $\mu$ H						
B	DT2011	129	30/46	E.S.S	4.65mH						

ADJUSTMENT CURVE



1.7.1959

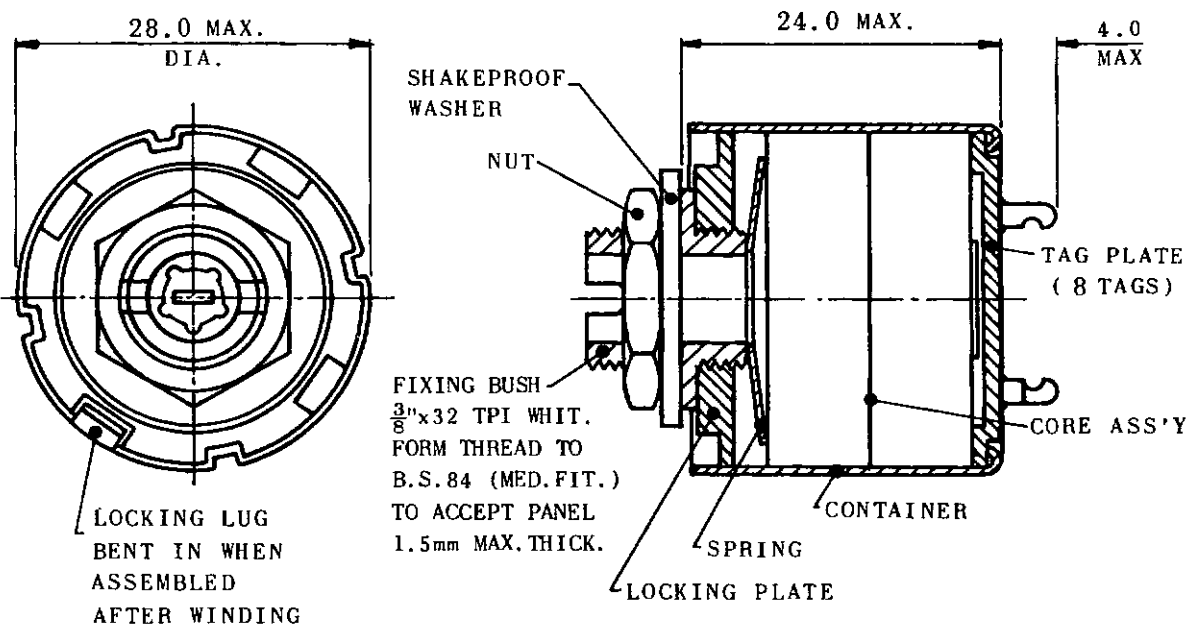
DSC 100/  
DSC 66/2

## MULLARD LTD. Component Division

Mullard House, Torrington Place, London, W.C.1 Telephone: LAngham 6633

### 25 mm VINKOR TYPE LA 2303

This adjustable pot core is specially designed for high quality filter inductors operating at frequencies up to about 40 Kc/s.



All dimensions in millimetres

Coil formers are not supplied with the Vinkor but should be ordered separately. For details see data sheets DSC 74 and DSC 108.

For correct assembly and alignment of piece parts use aligning plug DT 2034, see data sheet DSC 86.

Non magnetic screwdriver type DT 2047 should be used for precise adjustment of inductance.

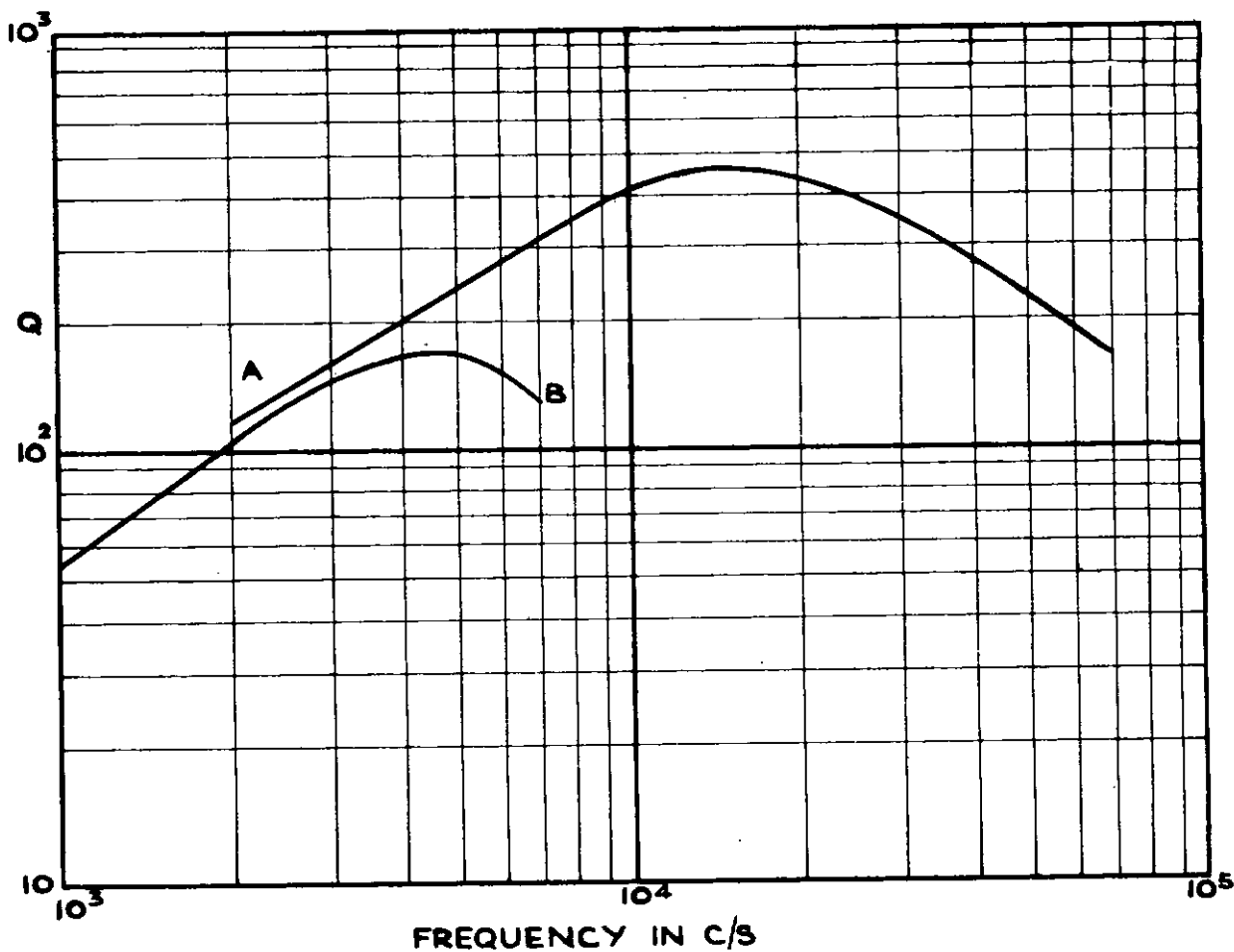
### ELECTRICAL AND MAGNETIC PROPERTIES

The following information relates to the core with the adjuster at the nominal mid-range position.

Effective permeability $\mu_e$	. . . . .	160*
Turns for 1 mH $\alpha$	. . . . .	42.5
Initial permeability of the material $\mu_i$	. . . . .	> 1150
Residual plus eddy current dissipation factor (Tan $\delta_{r+e}$ ):-		
Typical value measured at $B_{max} < 0.5$ gauss and 30 Kc/s		$1.3 \times 10^{-3}$
Typical value measured at $B_{max} < 0.5$ gauss and 100 Kc/s		$2.3 \times 10^{-3}$
Hysteresis factor	$F_H = \frac{R}{L} \cdot \frac{1}{I.f.\sqrt{L}}$	< 22.9
Temperature coefficient	$\frac{\Delta L}{L \cdot \Delta T}$	-160 to +320 ppm/C <sup>o</sup>

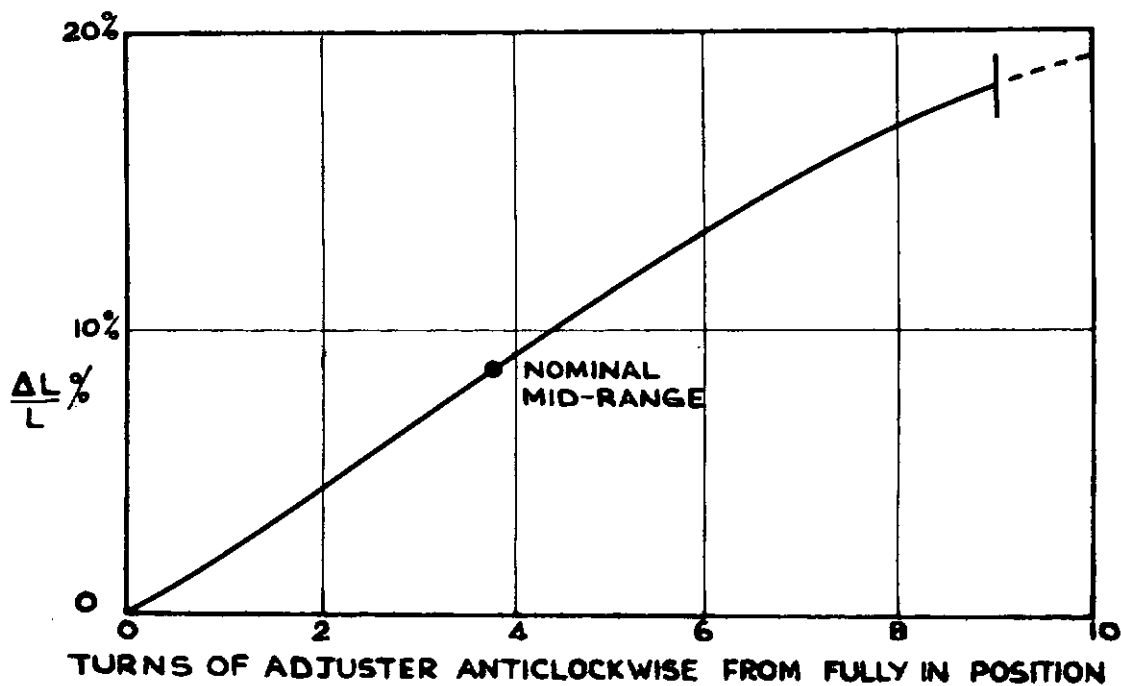
\*Without the adjuster the core has a  $\mu_e$  of . . . 146.5  $\pm$  3%

TYPICAL Q CURVES



CURVE	COIL FORMER	TURNS	WIRE		L	CURVE	COIL FORMER	TURNS	WIRE		L
			S.W.G.	INSUL.					S.W.G.	INSUL.	
A	DT 2010	207	30	FINE ENAM	23.7mH						
B	DT 2010	2800	44	FINE ENAM	4.34H						

ADJUSTMENT CURVE



1.7.1959



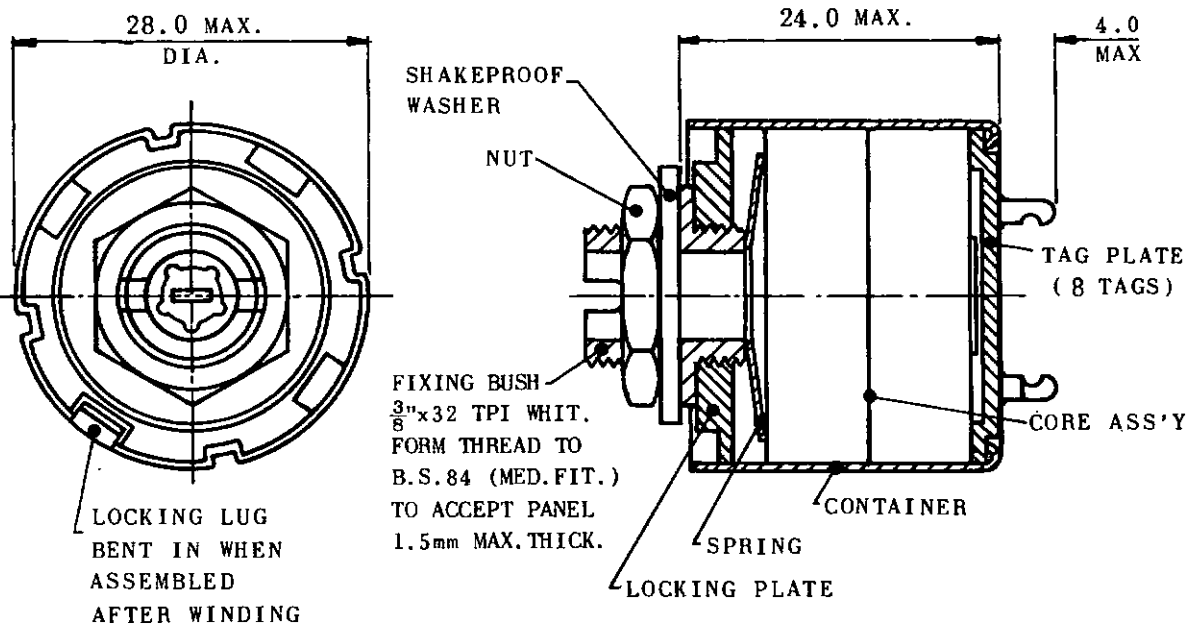
# PROVISIONAL DATA SHEET

## MULLARD LTD. Component Division

Mullard House, Torrington Place, London, W.C.1 Telephone: LANgham 6633

### 25 mm VINKOR TYPE LA 2304

This adjustable pot core is specially designed for high quality filter inductors operating at frequencies up to about 70 Kc/s.



All dimensions in millimetres

Coil formers are not supplied with the Vinkor but should be ordered separately. For details see data sheets DSC 74 and DSC 108.

For correct assembly and alignment of piece parts use aligning plug DT 2034, see data sheet DSC 86.

Non magnetic screwdriver type DT 2047 should be used for precise adjustment of inductance.

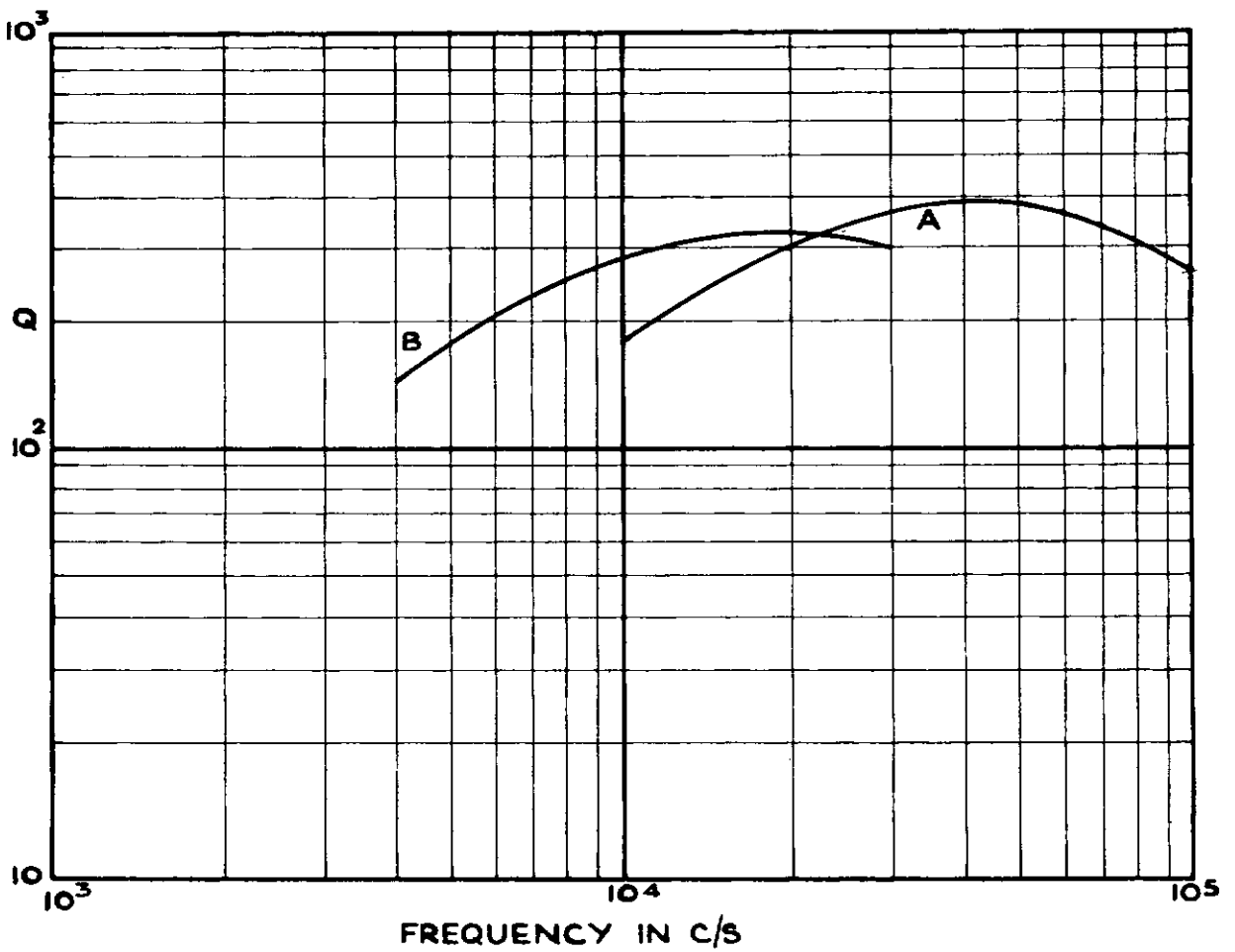
### ELECTRICAL AND MAGNETIC PROPERTIES

The following information relates to the core with the adjuster at the nominal mid-range position.

Effective permeability $\mu_e$	. . . . .	100*
Turns for 1 mH $\alpha$	. . . . .	53.8
Initial permeability of the material $\mu_i$	. . . . .	> 1150
Residual plus eddy current dissipation factor ( $\text{Tan } \delta_{r+e}$ ):-		
Typical value measured at $B_{\text{max}} < 0.5$ gauss and 30 Kc/s		$0.8 \times 10^{-3}$
Typical value measured at $B_{\text{max}} < 0.5$ gauss and 100 Kc/s		$1.4 \times 10^{-3}$
Hysteresis factor $F_H = \frac{R}{L} \cdot \frac{1}{I.f.\sqrt{L}}$	. . . . .	< 11.3
Temperature coefficient $\frac{\Delta L}{L \cdot \Delta T}$	. . . . .	-100 to +200 ppm/C <sup>o</sup>

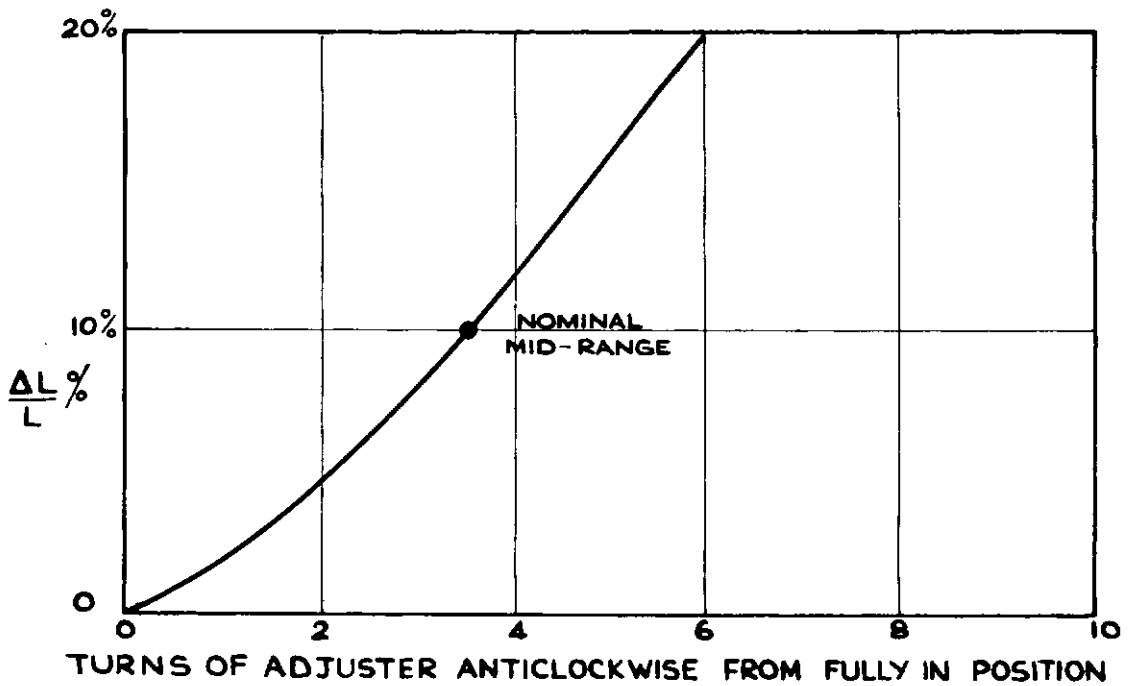
\*Without the adjuster the core has a  $\mu_e$  of . . . 90.0  $\pm$  3%

# TYPICAL Q CURVES



CURVE	COIL FORMER	TURNS	WIRE		L	CURVE	COIL FORMER	TURNS	WIRE		L
			S.W.G.	INSUL					S.W.G.	INSUL	
A	DT2010	189	10/45	E.S.S.	12.33mH						
B	DT2010	207	30	FINE ENAM	14.8mH						

## ADJUSTMENT CURVE





# PROVISIONAL DATA SHEET

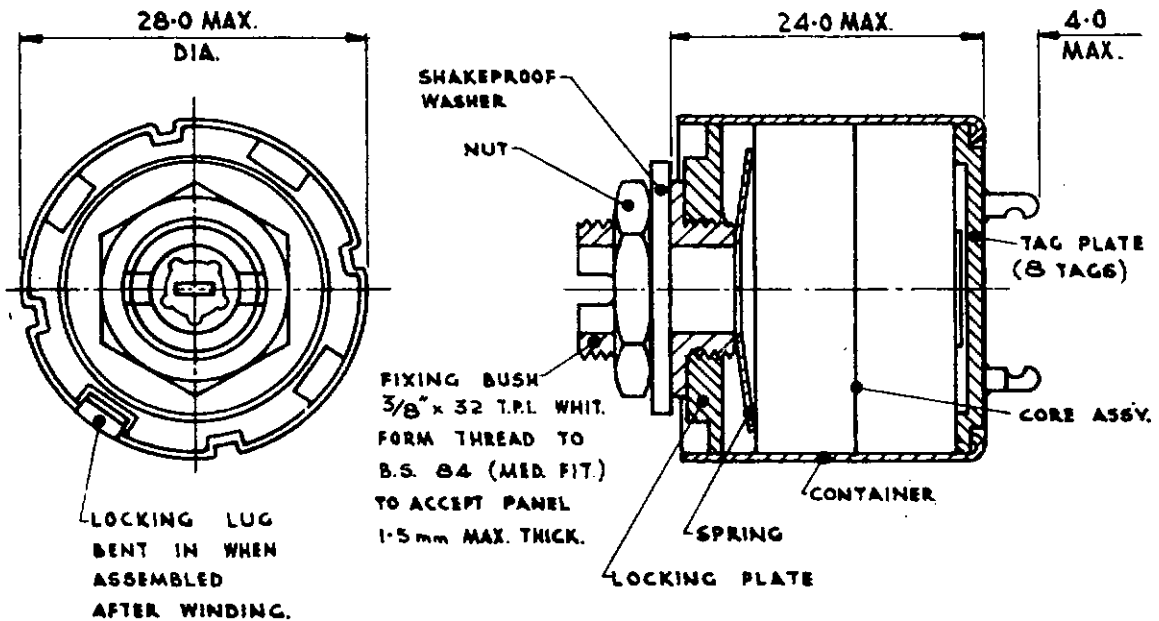
## MULLARD LTD. Component Division

Mullard House, Torrington Place, London, W.C.1.

Telephone : LANgham 6633

### 25 mm VINKOR TYPE LA 2305

This adjustable pot core is specially designed for high quality filter inductors operating at frequencies up to about 200Kc/s



All dimensions in millimetres

Coil formers are not supplied with the Vinkor but should be ordered separately. For details see data sheets DSC 74 and DSC 108.

For correct assembly and alignment of piece parts use aligning plug DT 2034, see data sheet DSC 86.

Non magnetic screwdriver type DT 2047 should be used for precise adjustment of inductance.

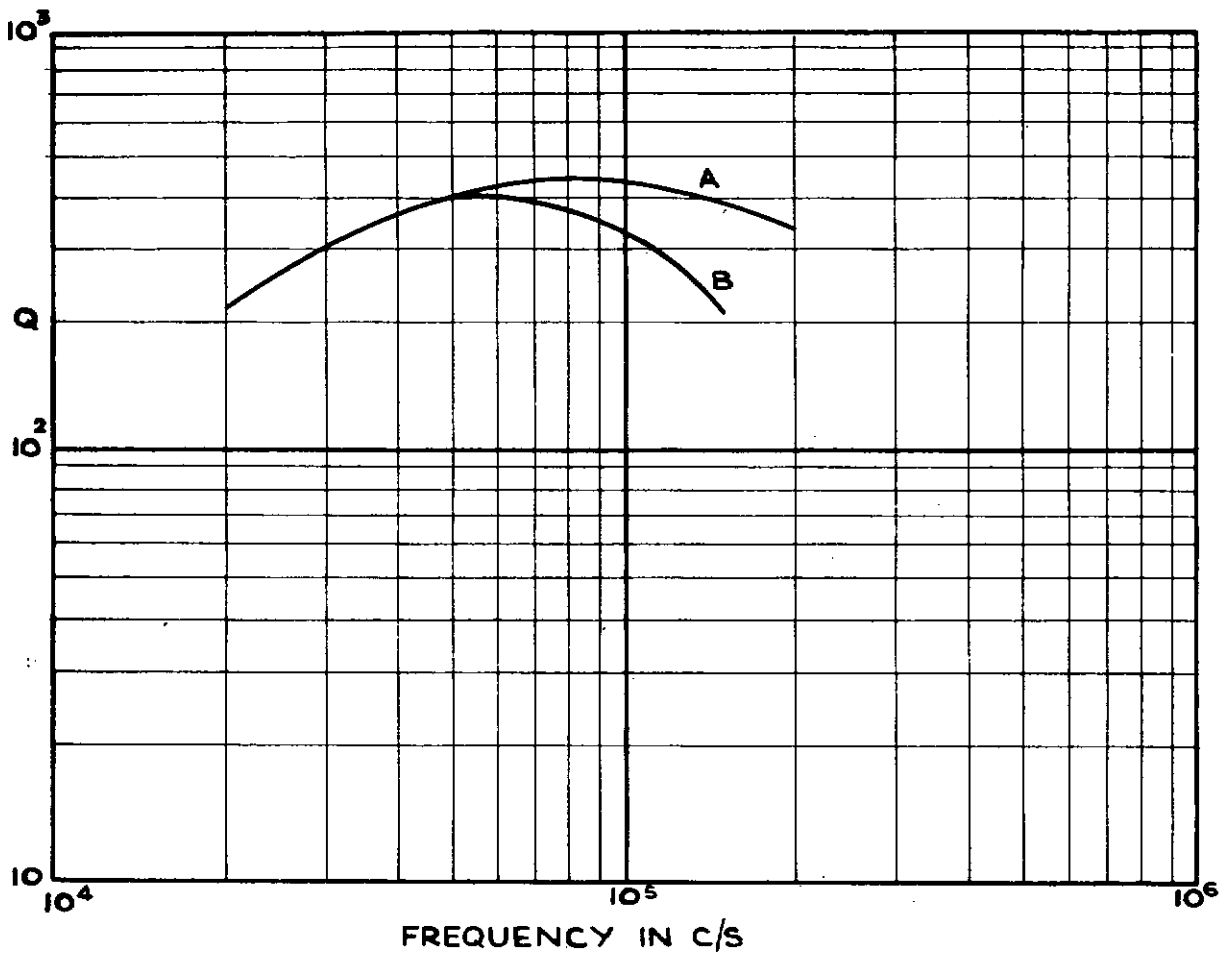
### ELECTRICAL AND MAGNETIC PROPERTIES

The following information relates to the core with the adjuster at the nominal mid-range position.

Effective permeability $\mu_e$ .....	63*
Turns for 1 mH $\alpha$ .....	67.8
Initial permeability of the material $\mu_i$ .....	> 1150
Residual plus eddy current dissipation factor ( $\tan \delta_{r+\bullet}$ ):-	
Typical value measured at $B_{max} < 0.5$ gauss and 30 Kc/s .....	$0.5 \times 10^{-3}$
Typical value measured at $B_{max} < 0.5$ gauss and 100 Kc/s .....	$0.9 \times 10^{-3}$
Hysteresis factor $F_H = \frac{R}{L} \cdot \frac{1}{I.f.\sqrt{L}}$ .....	< 5.64
Temperature coefficient $\frac{\Delta L}{L \cdot \Delta T}$ .....	-63 to +126 ppm/°C

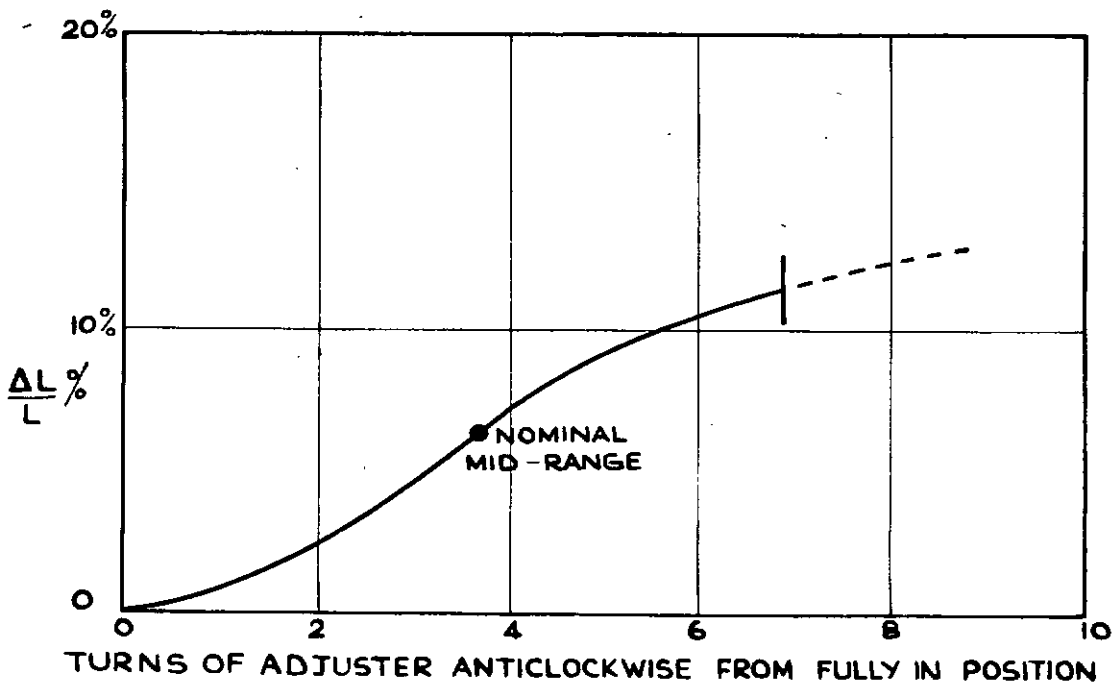
\*Without the adjuster the core has a  $\mu_e$  of .....  $59.0 \pm 2\%$

# TYPICAL Q CURVES



CURVE	COIL FORMER	TURNS	WIRE		L	CURVE	COIL FORMER	TURNS	WIRE		L
			S.W.G.	INSUL.					S.W.G.	INSUL.	
A	DT 2010	57	30/44	E.S.S.	708 $\mu$ H						
B	DT 2010	148	30/47	E.S.S.	4.77mH						

## ADJUSTMENT CURVE



1.7.1959



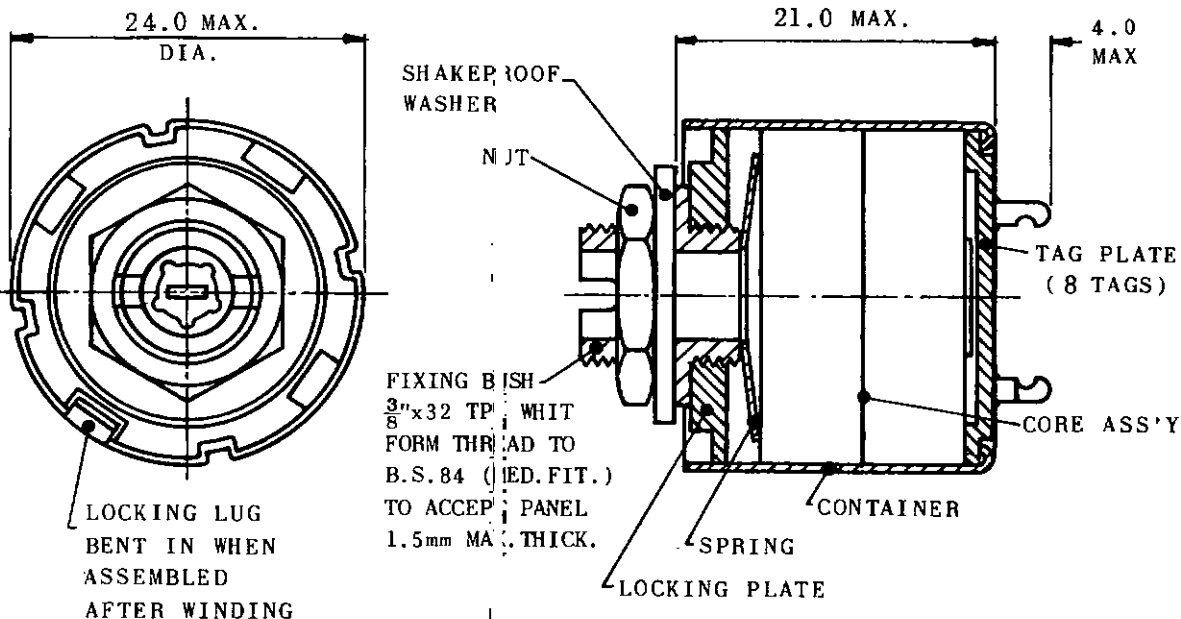
# PROVISIONAL DATA SHEET

## MULLARD LTD. Component Division

Mullard House, Torrington Place, London, W.C.1 Telephone: LANgham 6633

### 21 mm VINKOR TYPE LA 2403

This adjustable pot core is specially designed for high quality filter inductors operating at frequencies up to about 70 Kc/s.



All dimensions in millimetres

Coil formers are not supplied with the Vinkor but should be ordered separately. For details see data sheets DSC 73 and DSC 107.

For correct assembly and alignment of piece parts use aligning plug DT 2033, see data sheet DSC 86.

Non magnetic screwdriver type DT 2047 should be used for precise adjustment of inductance.

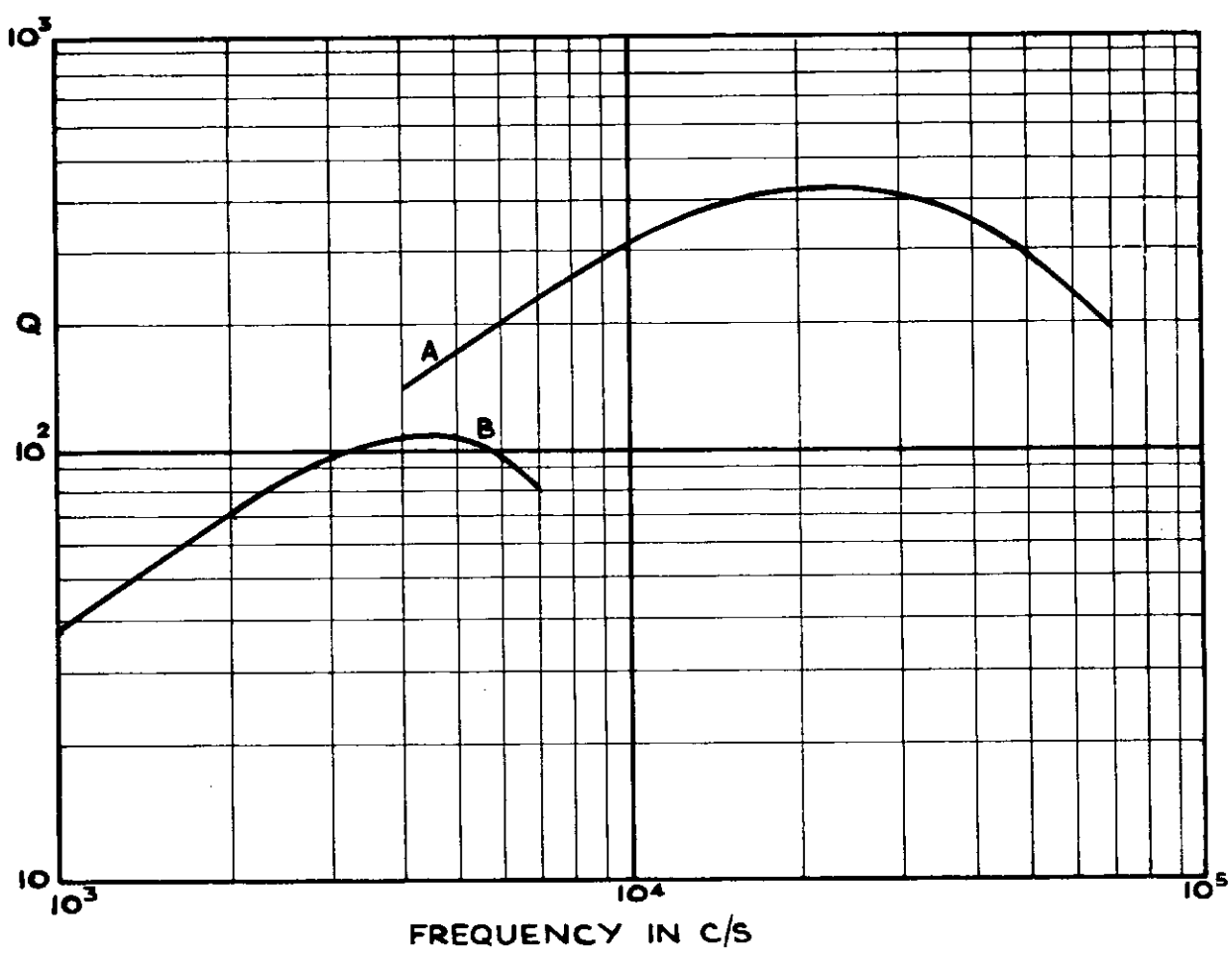
### ELECTRICAL AND MAGNETIC PROPERTIES

The following information relates to the core with the adjuster at the nominal mid-range position.

Effective permeability $\mu_e$	. . . . .	160*
Turns for 1 mH $\alpha$	. . . . .	46.1
Initial permeability of the material $\mu_i$	. . . . .	> 1150
Residual plus eddy current dissipation factor ( $\text{Tan } \delta_{r+e}$ ):-		
Typical value measured at $B_{max} < 0.5$ gauss and 30 Kc/s		$1.3 \times 10^{-3}$
Typical value measured at $B_{max} < 0.5$ gauss and 100 Kc/s		$2.1 \times 10^{-3}$
Hysteresis factor	$F_H = \frac{F}{I} \cdot \frac{1}{I.f. \sqrt{L}}$	< 29.2
Temperature coefficient	$\frac{\Delta I}{L \cdot \Delta T}$	-160 to +320 ppm/C°

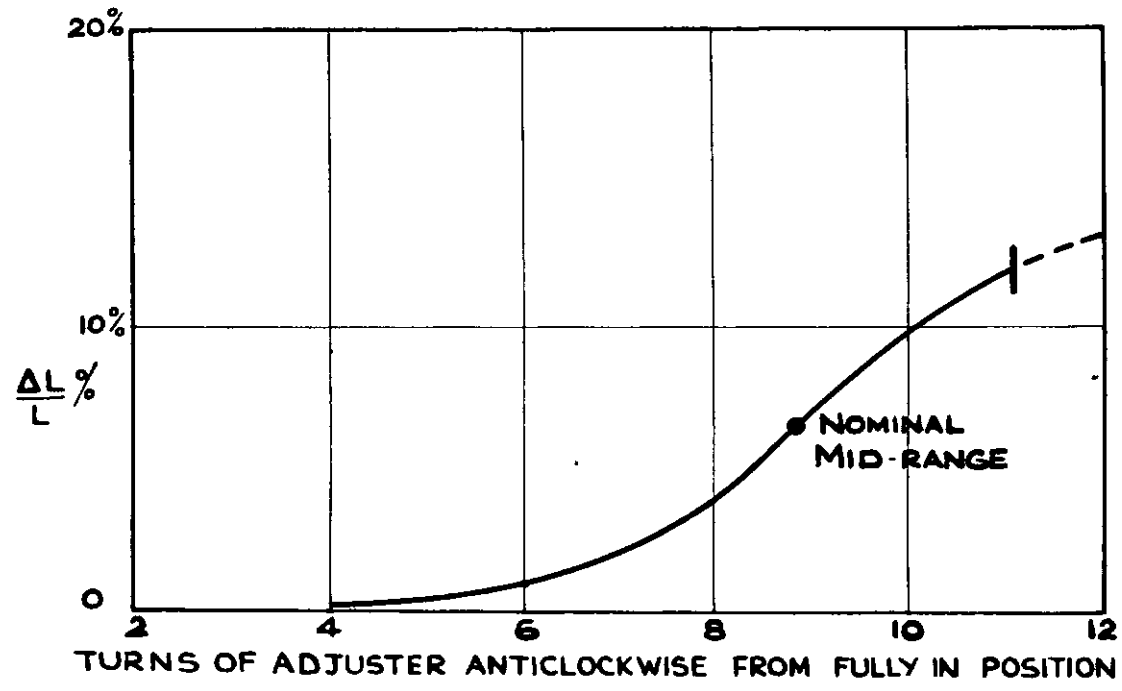
\*Without the adjuster the core has a  $\mu_e$  of . . . 149.5  $\pm$  3%

TYPICAL CURVES



CURVE	COIL FORMER	TURNS	WIRE		L	CURVE	COIL FORMER	TURNS	WIRE		L
			S.W.G.	INSUL					S.W.G.	INSUL	
A	DT2009	256	34	FINE ENAM	30.5mH						
B	DT2009	3350	46	FINE ENAM	5.23H						

ADJUSTMENT CURVE





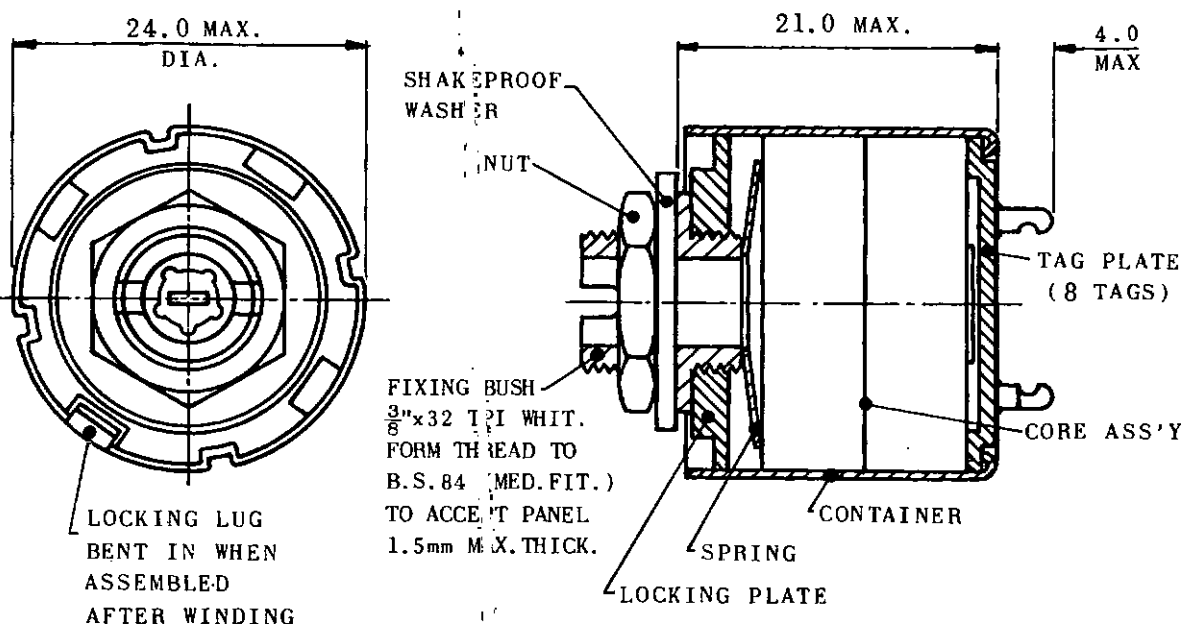
# PROVISIONAL DATA SHEET

## MULLARD LTD. Component Division

Mullard House, Torrington Place, London, W.C.1 Telephone: LANgham 6633

### 21 mm VINKOR TYPE LA 2404

This adjustable pot core is specially designed for high quality filter inductors operating at frequencies up to about 70 Kc/s.



All dimensions in millimetres

Coil formers are not supplied with the Vinkor but should be ordered separately. For details see data sheets DSC 73 and DSC 107.

For correct assembly and alignment of piece parts use aligning plug DT 2033, see data sheet DSC 86.

Non magnetic screwdriver type DT 2047 should be used for precise adjustment of inductance.

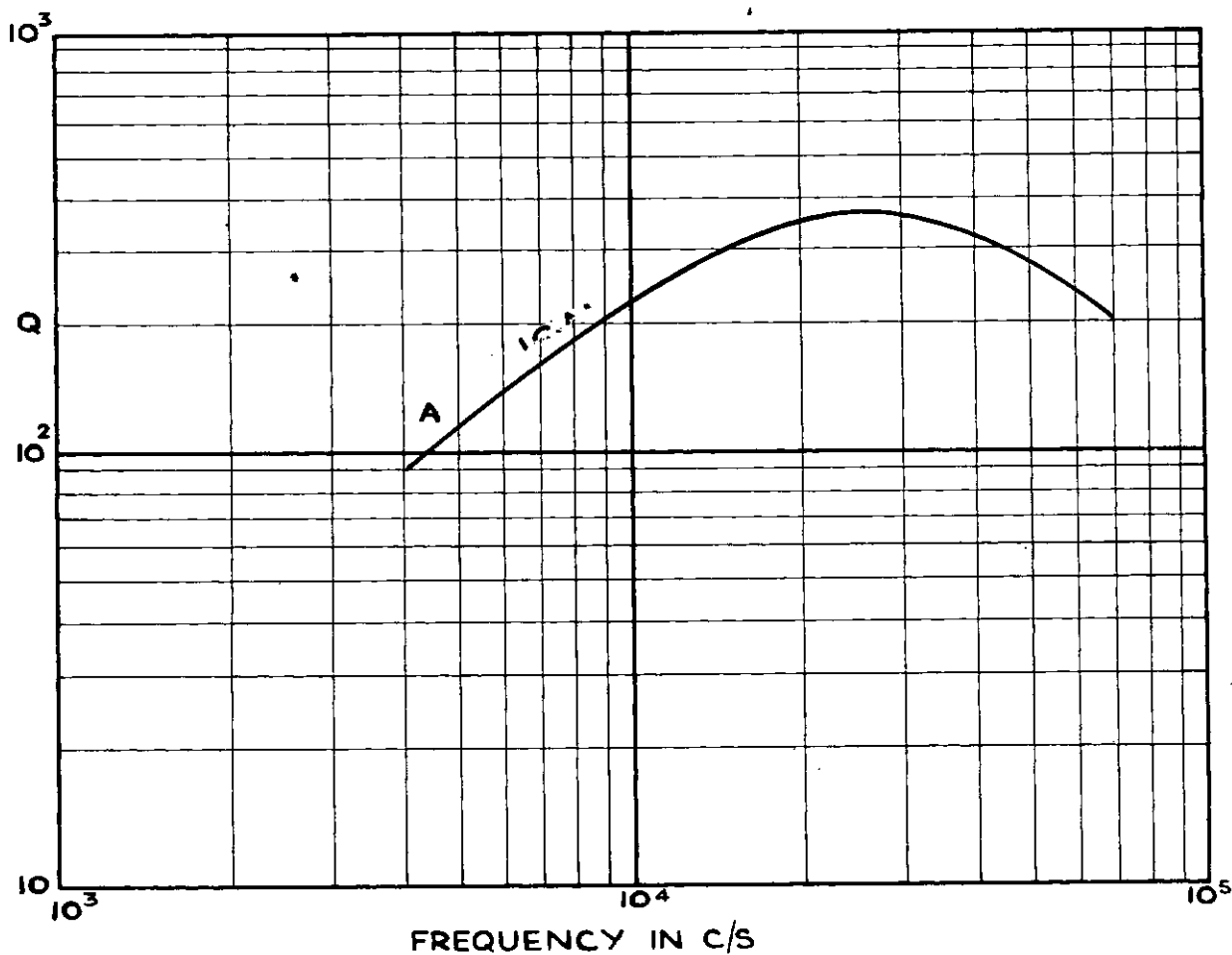
### ELECTRICAL AND MAGNETIC PROPERTIES

The following information relates to the core with the adjuster at the nominal mid-range position.

Effective permeability $\mu_e$	. . . . .	100*
Turns for 1 mH $\alpha$	. . . . .	58.3
Initial permeability of the material $\mu_i$	. . . . .	> 1150
Residual plus eddy current dissipation factor ( $\text{Tan } \delta_{r+e}$ ):-		
Typical value measured at $B_{\text{max}} < 0.5$ gauss and 30 Kc/s		$0.8 \times 10^{-3}$
Typical value measured at $B_{\text{max}} < 0.5$ gauss and 100 Kc/s		$1.3 \times 10^{-3}$
Hysteresis factor	$F_H = \frac{R}{L} \frac{1}{I.f.\sqrt{L}}$	. . . . . < 14.4
Temperature coefficient	$\frac{\Delta L}{L \cdot \Delta T}$	. . . . . -100 to +200 ppm/C <sup>o</sup>

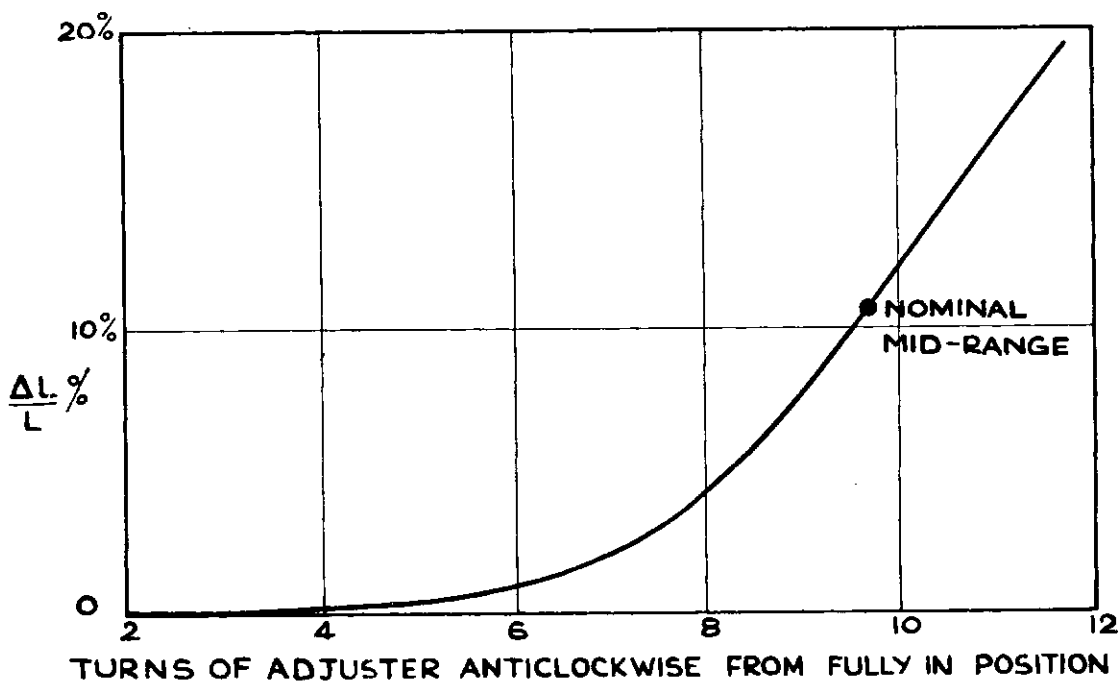
\*Without the adjuster the core has a  $\mu_e$  of . . . . .  $89.4 \pm 3\%$

# TYPICAL Q CURVES



CURVE	COIL FORMER	TURNS	WIRE		L	CURVE	COIL FORMER	TURNS	WIRE		L
			S.W.G.	INSUL					S.W.G.	INSUL	
A	DT2009	256	34	FINE ENAM	19.1mH						

## ADJUSTMENT CURVE

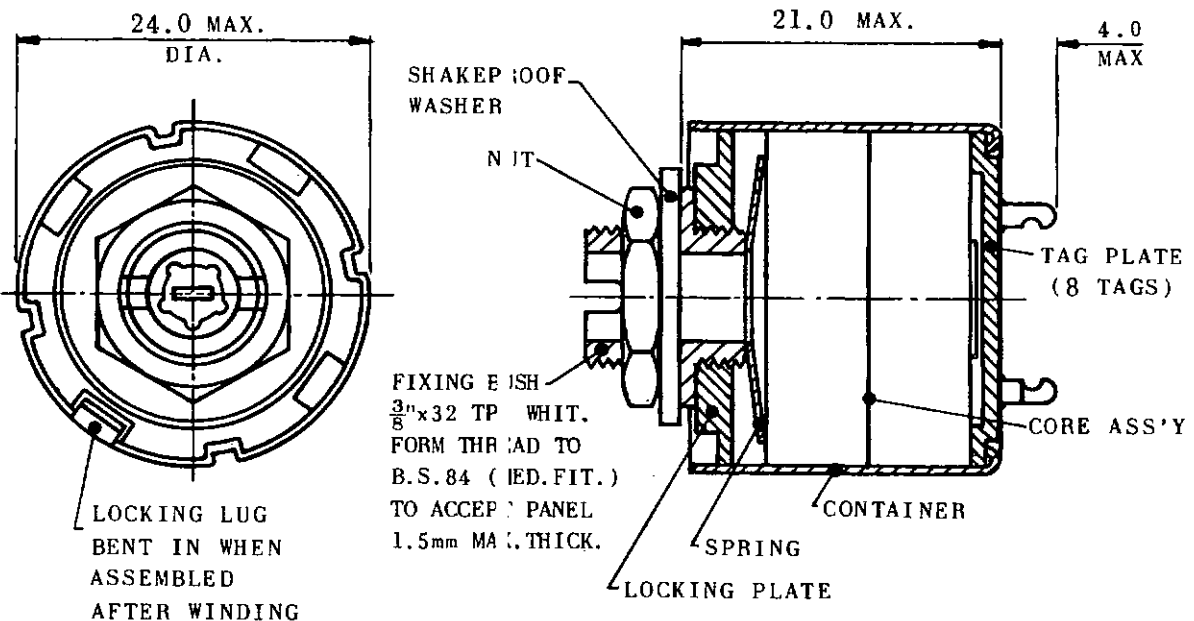


## MULLARD LTD. Component Division

Mullard House, Torrington Place, London, W.C.1 Telephone: LANGHAM 6633

### 21 mm VINKOR TYPE LA 2405

This adjustable pot core is specially designed for high quality filter inductors operating at frequencies up to about 200 Kc/s.



All dimensions in millimetres.

Coil formers are not supplied with the Vinkor but should be ordered separately. For details see data sheets DSC 73 and DSC 107.

For correct assembly and alignment of piece parts use aligning plug DT 2033, see data sheet DSC 16.

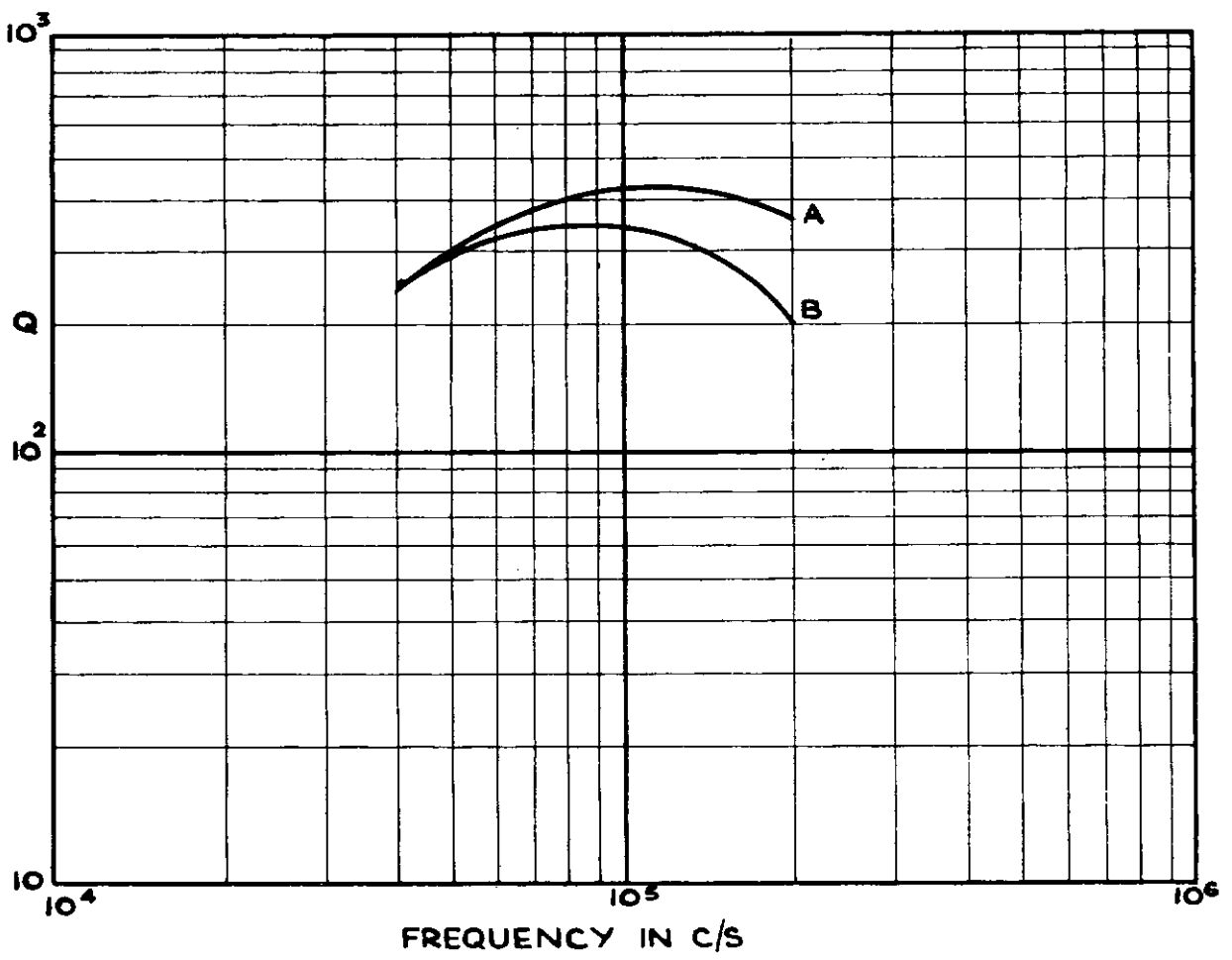
Non magnetic screwdriver type DT 2047 should be used for precise adjustment of inductance.

### ELECTRICAL AND MAGNETIC PROPERTIES

The following information relates to the core with the adjuster at the nominal mid-range position.

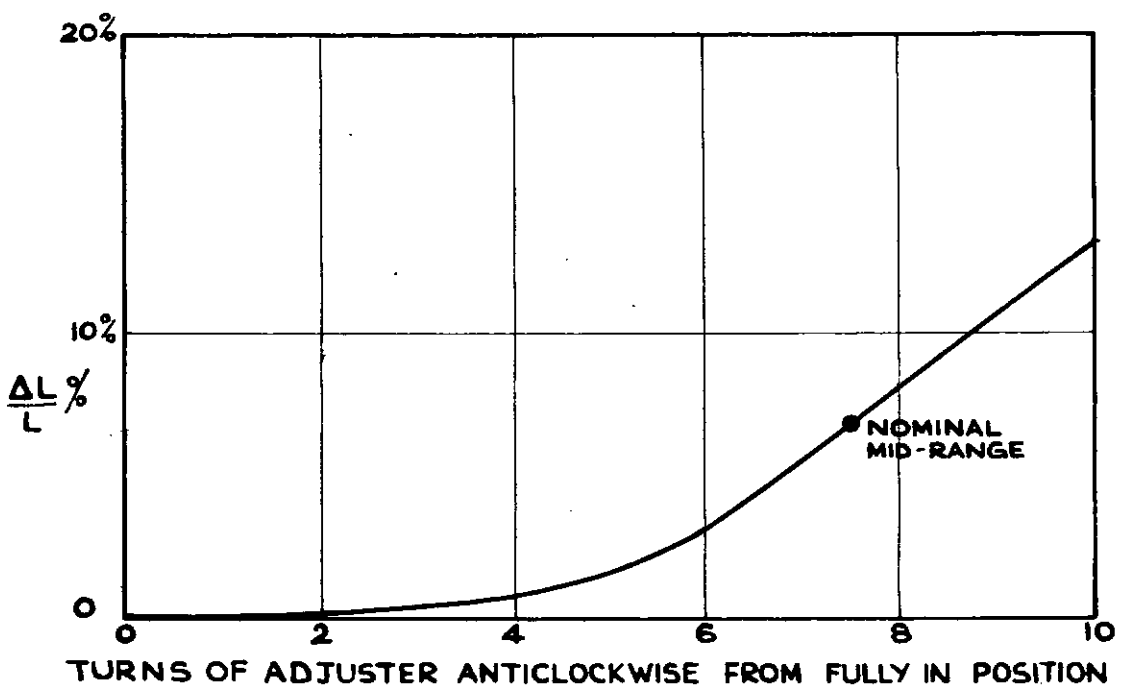
Effective permeability $\mu_e$	. . . . .	63*
Turns for 1 mH $\alpha$	. . . . .	73.4
Initial permeability of the material $\mu_i$	. . . . .	> 1150
Residual plus eddy current dissipation factor ( $\text{Tan } \delta_{r+e}$ ):-		
Typical value measured at $B_{ma} < 0.5$ gauss and 30 Kc/s		$0.5 \times 10^{-3}$
Typical value measured at $B_{ma} < 0.5$ gauss and 100 Kc/s		$0.82 \times 10^{-3}$
Hysteresis factor $F_H = \frac{R}{L} \cdot \frac{1}{I.f.\sqrt{L}}$	. . . . .	< 7.2
Temperature coefficient $\frac{\Delta L}{L \cdot \Delta T}$	. . . . .	-63 to +126 ppm/C <sup>o</sup>

\*Without the adjuster the core has a  $\mu_e$  of . . . . .  $59.0 \pm 2\%$



CURVE	COIL FORMER	TURNS	WIRE		L	CURVE	COIL FORMER	TURNS	WIRE		L
			S.W.G.	INSUL					S.W.G.	INSUL	
A	DT 2009	62	30/46	E.S.S.	706 $\mu$ H						
B	DT 2009	140	10/45	E.S.S.	3.60 $\mu$ H						

### ADJUSTMENT CURVE



1.7.1959

DSC 94/  
DSC 69/1

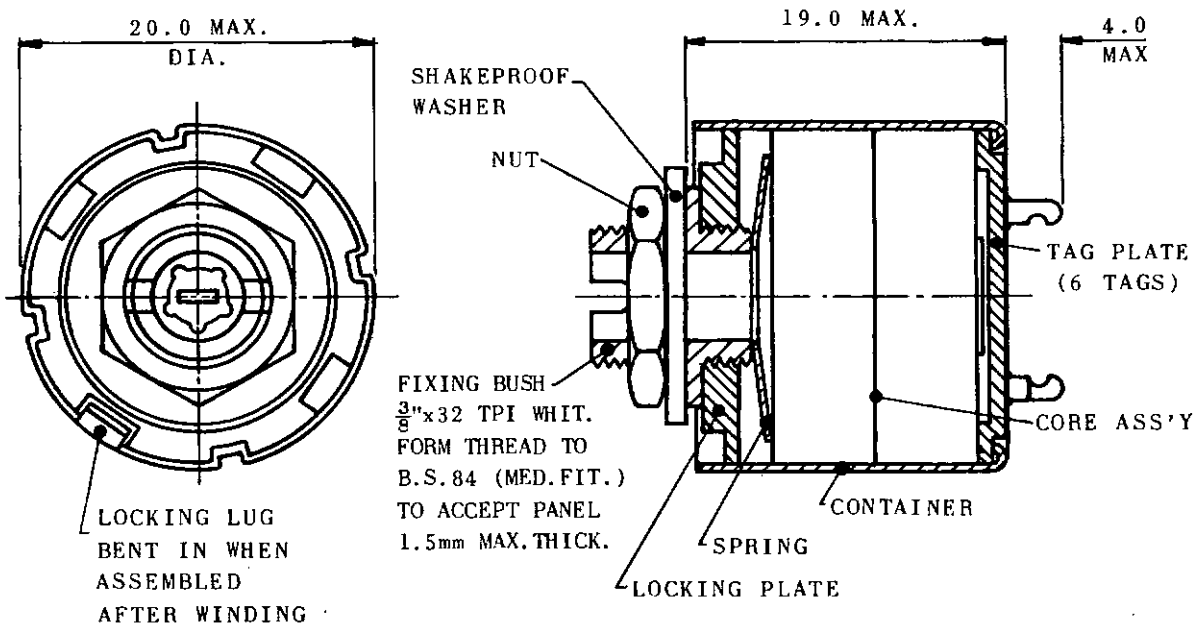


## MULLARD LTD. Component Division

Mullard House, Torrington Place, London, W.C.1 Telephone: LANgham 6633

### 18 mm VINKOR TYPE LA 2503

This adjustable pot core is specially designed for high quality filter inductors operating at frequencies up to about 100 Kc/s.



All dimensions in millimetres

Coil formers are not supplied with the Vinkor but should be ordered separately. For details see data sheets DSC 72 and DSC 106.

For correct assembly and alignment of piece parts use aligning plug DT 2032, see data sheet DSC 86.

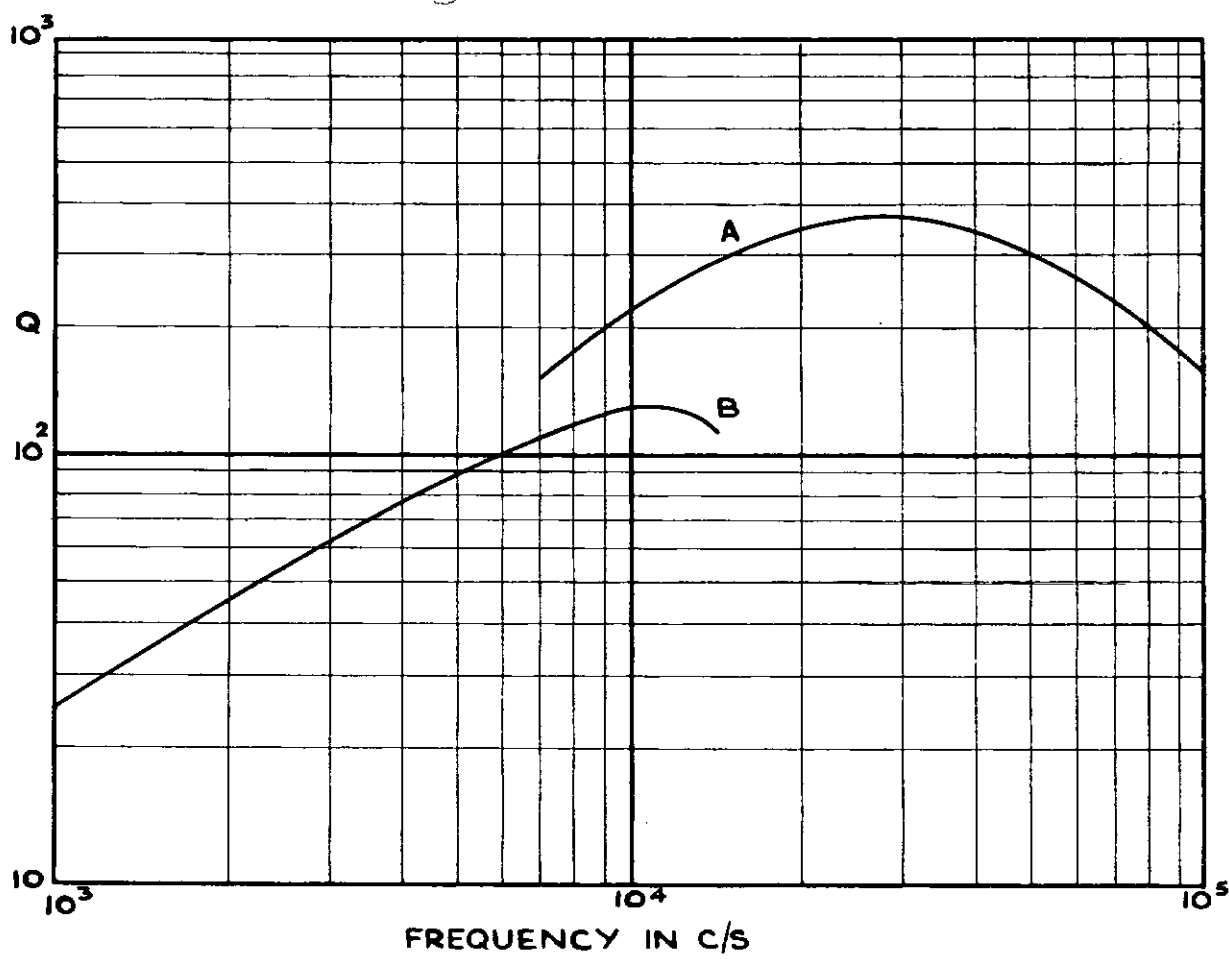
Non magnetic screwdriver type DT 2047 should be used for precise adjustment of inductance.

### ELECTRICAL AND MAGNETIC PROPERTIES

The following information relates to the core with the adjuster at the nominal mid-range position.

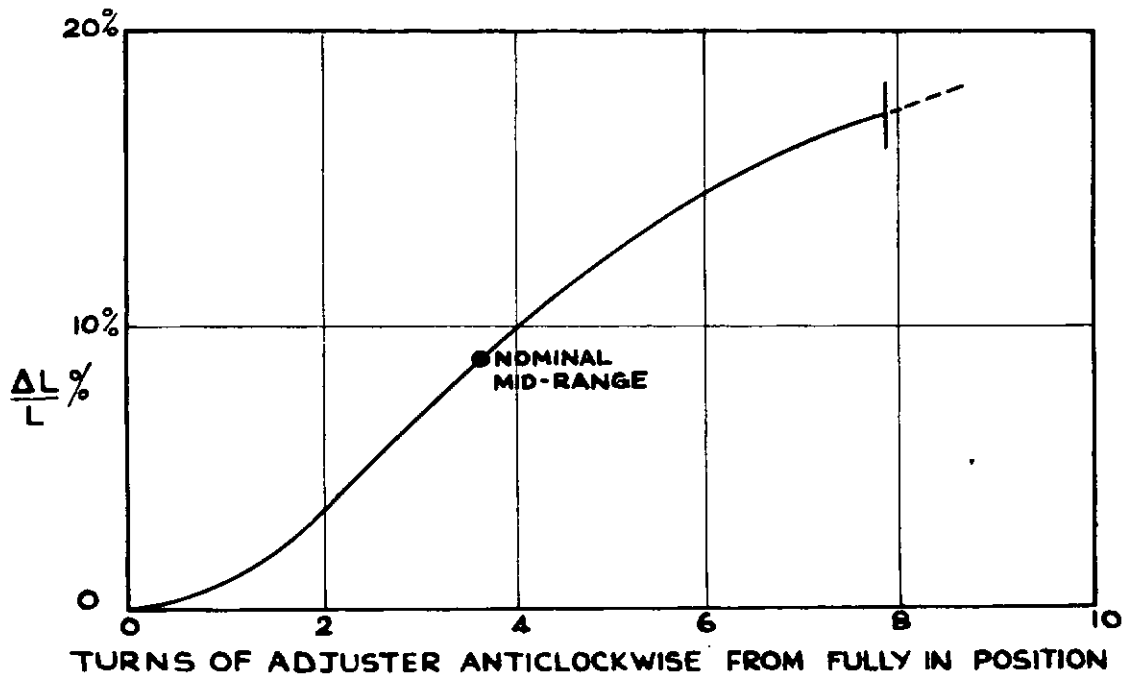
Effective permeability $\mu_e$	. . . . .	160*
Turns for 1 mH $\alpha$	. . . . .	52.5
Initial permeability of the material $\mu_i$	. . . . .	> 1150
Residual plus eddy current dissipation factor ( $\text{Tan } \delta_{r+e}$ ):-		
Typical value measured at $B_{\text{max}} < 0.5$ gauss and 30 Kc/s		$1.3 \times 10^{-3}$
Typical value measured at $B_{\text{max}} < 0.5$ gauss and 100 Kc/s		$1.8 \times 10^{-3}$
Hysteresis factor	$F_H = \frac{R}{L} \cdot \frac{1}{I.f.\sqrt{L}}$	< 41.6
Temperature coefficient	$\frac{\Delta L}{L \cdot \Delta T}$	-160 to +320 ppm/C <sup>0</sup>

\*Without the adjuster the core has a  $\mu_e$  of . . . 146.5  $\pm$  3%



CURVE	COIL FORMER	TURNS	WIRE		L	CURVE	COIL FORMER	TURNS	WIRE		L
			S.W.G.	INSUL					S.W.G.	INSUL	
A	DT 2008	252	36	FINE ENAM	23.0mH						
B	DT 2008	2300	46	FINE ENAM	1.92 H						

ADJUSTMENT CURVE



1.7.1959

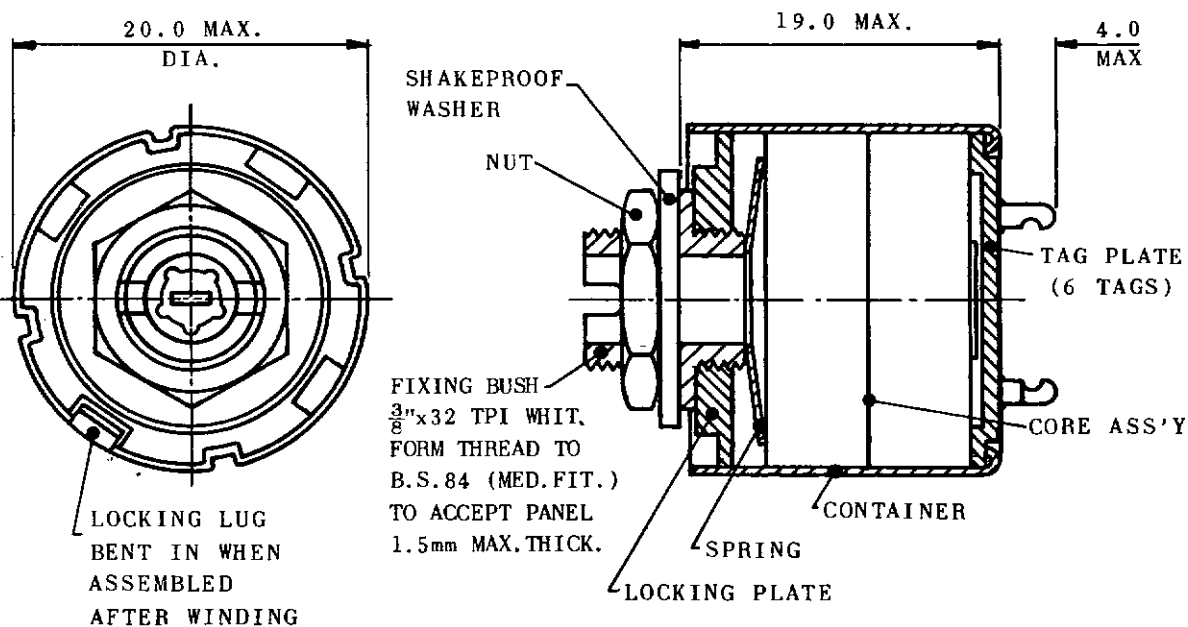
DSC 89/2  
DSC 55/1

## MULLARD LTD. Component Division

Mullard House, Torrington Place, London, W. C. 1 Telephone: LANgham 6633

### 18 mm VINKOR TYPE LA 2504

This adjustable pot core is specially designed for high quality filter inductors operating at frequencies up to about 100 Kc/s.



All dimensions in millimetres

Coil formers are not supplied with the Vinkor but should be ordered separately. For details see data sheets DSC 72 and DSC 106.

For correct assembly and alignment of piece parts use aligning plug DT 2032, see data sheet DSC 86.

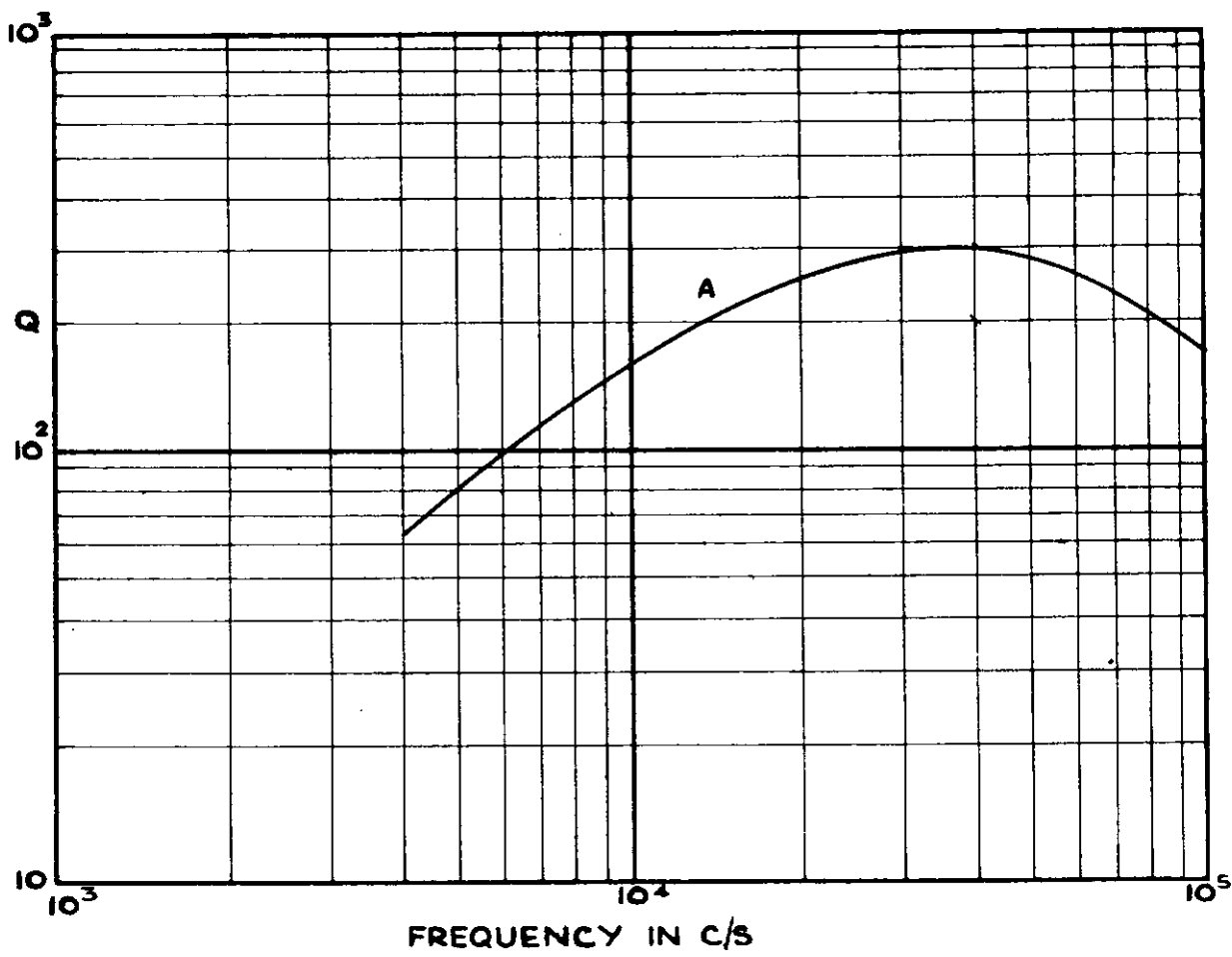
Non magnetic screwdriver type DT 2047 should be used for precise adjustment of inductance.

### ELECTRICAL AND MAGNETIC PROPERTIES

The following information relates to the core with the adjuster at the nominal mid-range position.

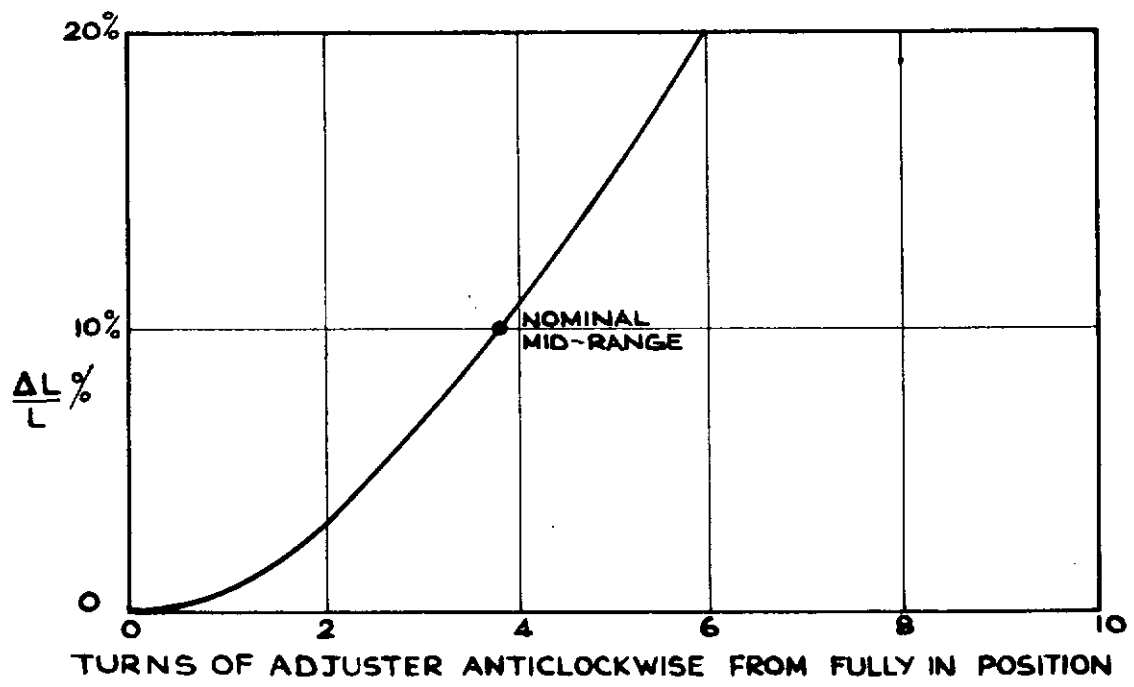
Effective permeability $\mu_e$	. . . . .	100*
Turns for 1 mH $\alpha$	. . . . .	66.4
Initial permeability of the material $\mu_i$	. . . . .	>1150
Residual plus eddy current dissipation factor ( $\text{Tan } \delta_{r+e}$ ):-		
Typical value measured at $B_{\text{max}} < 0.5$ gauss and 30 Kc/s		$0.8 \times 10^{-3}$
Typical value measured at $B_{\text{max}} < 0.5$ gauss and 100 Kc/s		$1.1 \times 10^{-3}$
Hysteresis factor $F_H = \frac{R}{L} \cdot \frac{1}{I.f. \sqrt{L}}$	. . . . .	< 20.6
Temperature coefficient $\frac{\Delta L}{L \cdot \Delta T}$	. . . . .	-100 to +200 ppm/C <sup>o</sup>

\*Without the adjuster the core has a  $\mu_e$  of . . . 90.0  $\pm$  3%



CURVE	COIL FORMER	TURNS	WIRE		L	CURVE	COIL FORMER	TURNS	WIRE		L
			S.W.G.	INSUL					S.W.G.	INSUL	
A	DT 2008	250	36	FINE ENAM	14.4mH						

ADJUSTMENT CURVE



1.7.1959

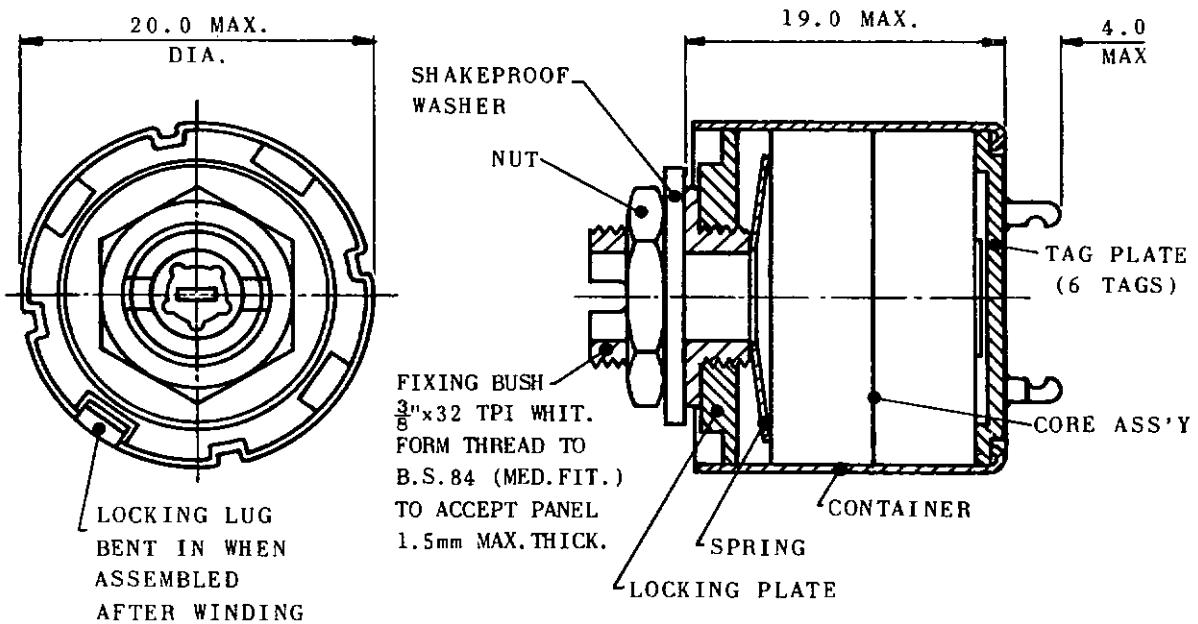
DSC 90/2  
DSC 56/1

## MULLARD LTD. Component Division

Mullard House, Torrington Place, London, W. C. 1 Telephone: LANgham 6633

### 18 mm VINKOR TYPE LA 2505

This adjustable pot core is specially designed for high quality filter inductors operating at frequencies up to about 200 Kc/s.



All dimensions in millimetres

Coil formers are not supplied with the Vinkor but should be ordered separately. For details see data sheets DSC 72 and DSC 106.

For correct assembly and alignment of piece parts use aligning plug DT 2032, see data sheet DSC 86.

Non magnetic screwdriver type DT 2047 should be used for precise adjustment of inductance.

### ELECTRICAL AND MAGNETIC PROPERTIES

The following information relates to the core with the adjuster at the nominal mid-range position.

Effective permeability  $\mu_e$  . . . . . 63\*

Turns for 1 mH  $\alpha$  . . . . . 83.6

Initial permeability of the material  $\mu_i$  3 . . . . . > 1150

Residual plus eddy current dissipation factor ( $\text{Tan } \delta_{r+e}$ ):-

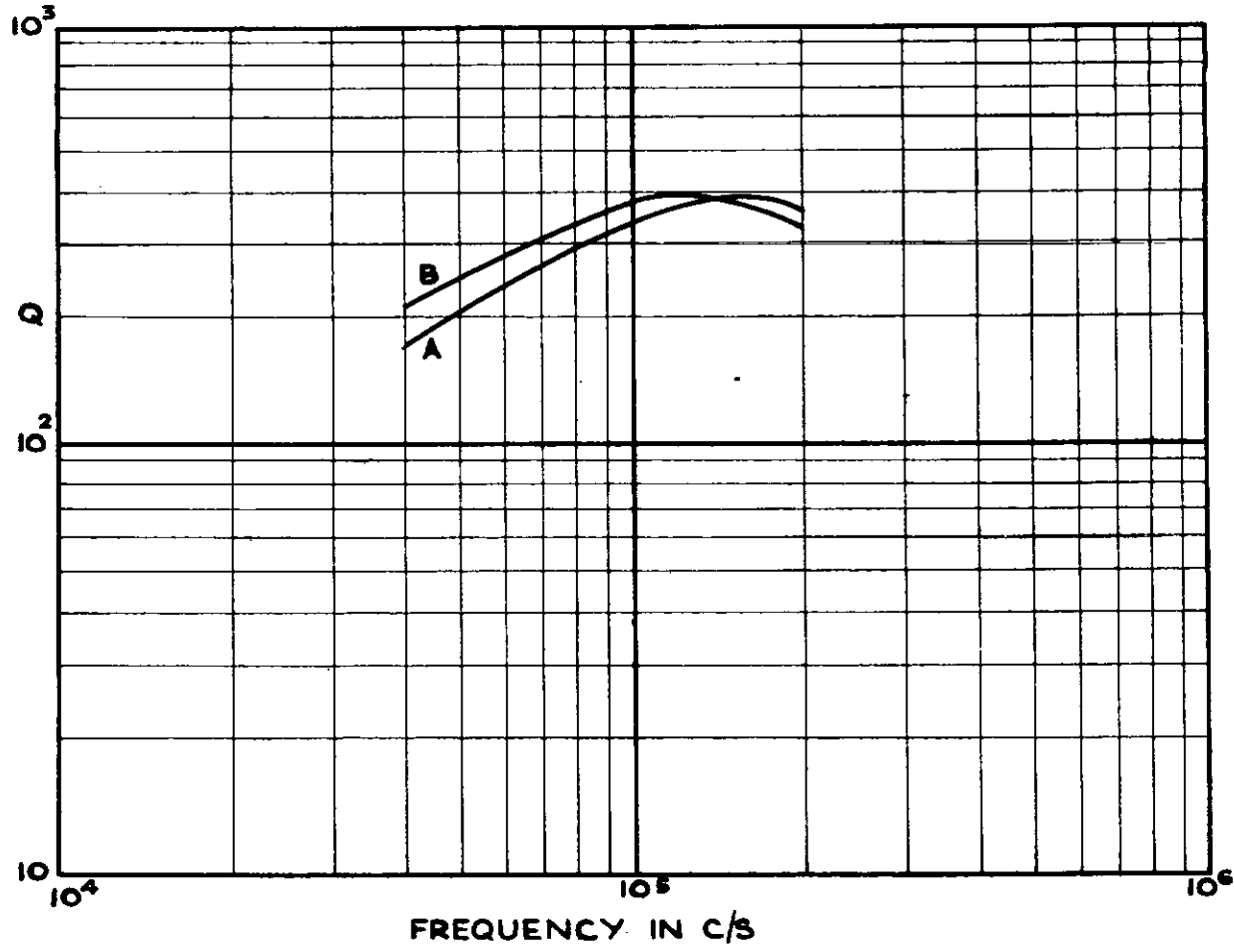
Typical value measured at  $B_{\text{max}} < 0.5$  gauss and 30 Kc/s  $0.5 \times 10^{-3}$

Typical value measured at  $B_{\text{max}} < 0.5$  gauss and 100 Kc/s  $0.69 \times 10^{-3}$

Hysteresis factor  $F_H = \frac{R}{L} \cdot \frac{1}{\text{I.f.} \sqrt{L}}$  . . . . . < 10.3

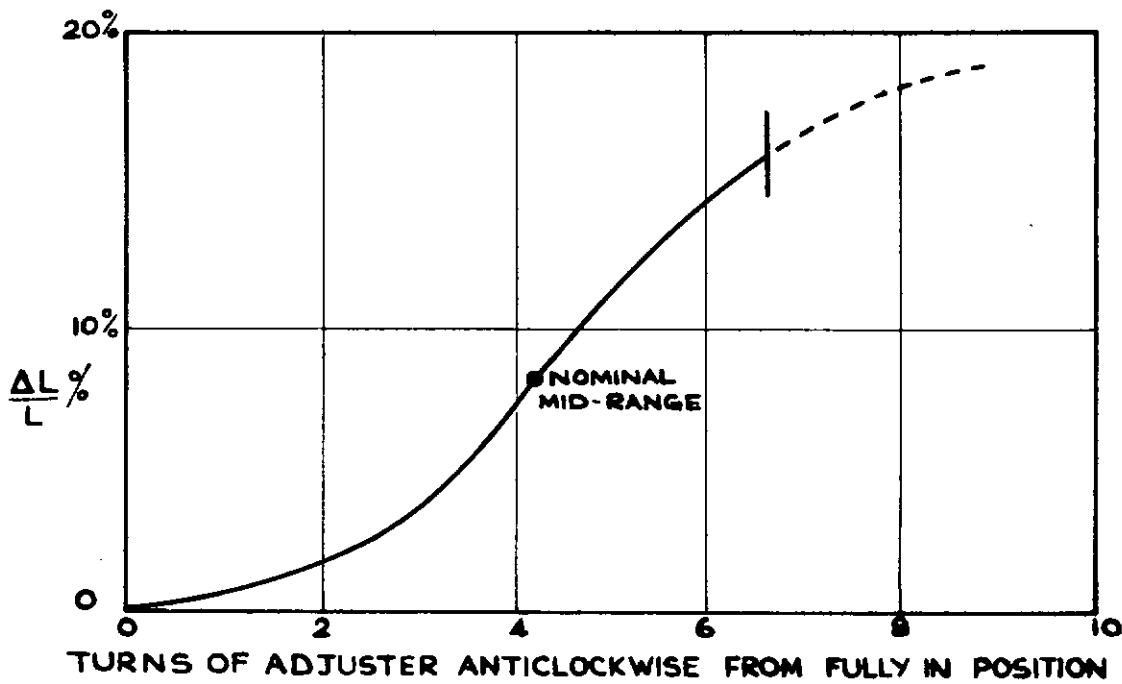
Temperature coefficient  $\frac{\Delta L}{L \cdot \Delta T}$  . . . . . -63 to +126 ppm/C<sup>o</sup>

\*Without the adjuster the core has a  $\mu_e$  of . . . 58.0  $\pm$  2%



CURVE	COIL FORMER	TURNS	WIRE		L	CURVE	COIL FORMER	TURNS	WIRE		L
			S.W.G.	INSUL					S.W.G.	INSUL	
A	DT 2008	62	30/47	ESS.	550 $\mu$ H						
B	DT 2008	148	7/45	ESS.	3-14mH						

ADJUSTMENT CURVE



1.7.1959



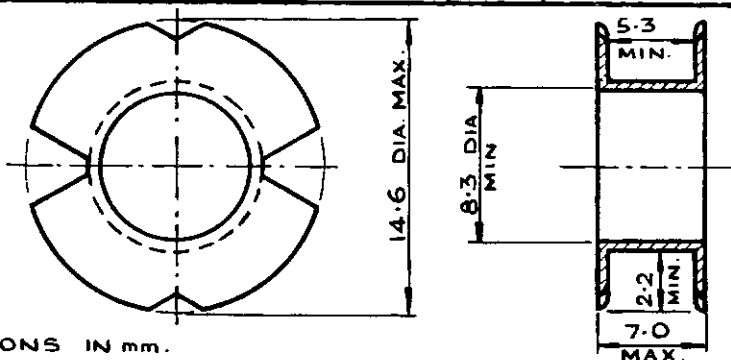
# PROVISIONAL DATA SHEET

## MULLARD LTD. Component Division

Mullard House, Torrington Place, London, W.C.1.

Telephone : LANgham 6633

WINDING DATA FOR COIL FORMER TYPE DT2008 (NYLON) AND DT2081 (POLYSTYRENE)



For use with  
18 mm Vinkor  
Pot Core  
Assemblies.

ALL DIMENSIONS IN mm.

ENAMELLED COPPER WIRE TO B.S.1844 (FINE COVERING)							
S.W.G.	CU. DIA "	TURNS	RES Ω	S.W.G.	CU. DIA "	TURNS	RES Ω
20	.036	10	0.009	34	.0092	177	2.6
21	.032	12	0.014	35	.0084	208	3.7
22	.028	21	0.033	36	.0076	252	5.5
23	.024	24	0.050	37	.0068	305	8.3
24	.022	27	0.066	38	.0060	405	14.5
25	.020	38	0.115	39	.0052	520	24
26	.018	44	0.165	40	.0048	610	33
27	.0164	60	0.28	41	.0044	710	46
28	.0148	78	0.45	42	.0040	860	67
29	.0136	87	0.58	43	.0036	1090	105
30	.0124	98	0.80	44	.0032	1340	165
31	.0116	113	1.05	45	.0028	1740	280
32	.0108	128	1.35	46	.0024	2300	500
33	.0100	149	1.85	47	.0020	3350	1050

SILK COVERED BUNCHED ENAMELLED COPPER CONDUCTORS TO B.S. 1258					
STRANDS	S.W. G.	STR. DIA "	INSUL.	TURNS	RES Ω
81	43	.0036	D.S.C.	4	0.005
350	48	.0016	D.S.C.	4	0.006
315	48	.0016	D.S.C.	9	0.014
81	44	.0032	D.S.C.	9	0.014
280	48	.0016	D.S.C.	9	0.016
252	48	.0016	D.S.C.	9	0.017
81	45	.0028	D.S.C.	10	0.020
224	48	.0016	D.S.C.	10	0.022
200	48	.0016	D.S.C.	11	0.027
180	48	.0016	D.S.C.	11	0.030
48	44	.0032	D.S.C.	12	0.030
160	48	.0016	D.S.C.	12	0.036
140	48	.0016	D.S.C.	19	0.066
30	43	.0036	S.S.C.	21	0.067
81	47	.0020	D.S.C.	22	0.084
30	44	.0032	S.S.C.	24	0.097
100	48	.0016	D.S.C.	24	0.115
30	45	.0028	S.S.C.	36	0.19
81	48	.0016	D.S.C.	36	0.22
30	46	.0024	S.S.C.	40	0.29
19	45	.0028	S.S.C.	55	0.46
30	47	.0020	S.S.C.	62	0.64
7	42	.0040	S.S.C.	81	0.9
10	45	.0028	S.S.C.	87	1.4
9	45	.0028	S.S.C.	108	1.9
7	45	.0028	S.S.C.	148	3.3
3	44	.0032	S.S.C.	220	8.9
3	46	.0024	S.S.C.	297	21



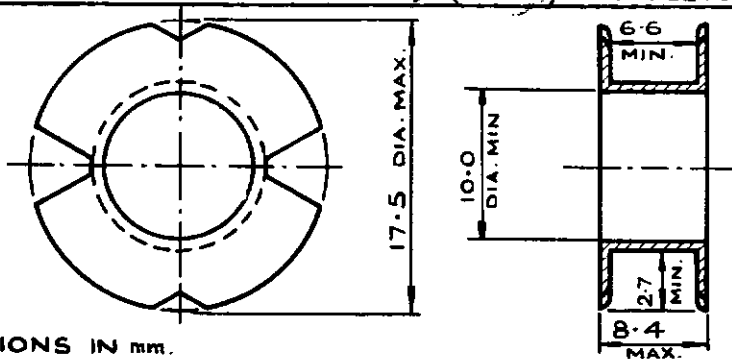
# PROVISIONAL DATA SHEET

## MULLARD LTD. Component Division

Mullard House, Torrington Place, London, W.C.1.

Telephone : LANgham 6633

WINDING DATA FOR COIL FORMER TYPE DT2009 (NYLON) AND DT2082 (POLYSTYRENE)



For use with  
21 mm Vinkor  
Pot Core  
Assemblies.

ALL DIMENSIONS IN mm.

ENAMELLED COPPER WIRE TO B.S.1844 (FINE COVERING)							
S.W.G.	CU. DIA "	TURNS	RES Ω	S.W.G.	CU. DIA "	TURNS	RES Ω
20	.036	13	0.013	34	.0092	256	4.5
21	.032	22	0.032	35	.0084	300	6.4
22	.028	25	0.050	36	.0076	365	9.5
23	.024	40	0.105	37	.0068	445	14.5
24	.022	44	0.135	38	.0060	585	25
25	.020	60	0.22	39	.0052	755	42
26	.018	65	0.29	40	.0048	885	58
27	.0164	72	0.39	41	.0044	1030	80
28	.0148	96	0.64	42	.0040	1250	115
29	.0136	122	0.98	43	.0036	1580	185
30	.0124	142	1.4	44	.0032	1940	280
31	.0116	163	1.8	45	.0028	2500	480
32	.0108	186	2.4	46	.0024	3350	870
33	.0100	216	3.2	47	.0020	4850	1850

SILK COVERED BUNCHED ENAMELLED COPPER CONDUCTORS TO B.S. 1258					
STRANDS	S.W.G.	STR. DIA "	INSUL.	TURNS	RES Ω
81	43	.0036	D.S.C.	10	0.014
350	48	.0016	D.S.C.	10	0.017
315	48	.0016	D.S.C.	11	0.020
81	44	.0032	D.S.C.	11	0.020
280	48	.0016	D.S.C.	11	0.023
252	48	.0016	D.S.C.	12	0.028
81	45	.0028	D.S.C.	12	0.028
224	48	.0016	D.S.C.	12	0.031
200	48	.0016	D.S.C.	19	0.055
180	48	.0016	D.S.C.	21	0.068
48	44	.0032	D.S.C.	21	0.064
160	48	.0016	D.S.C.	22	0.080
140	48	.0016	D.S.C.	24	0.100
30	43	.0036	S.S.C.	25	0.096
81	47	.0020	D.S.C.	36	0.165
30	44	.0032	S.S.C.	38	0.185
100	48	.0016	D.S.C.	40	0.23
30	45	.0028	S.S.C.	55	0.35
81	48	.0016	D.S.C.	55	0.40
30	46	.0024	S.S.C.	62	0.54
19	45	.0028	S.S.C.	81	0.81
30	47	.0020	S.S.C.	90	1.10
7	42	.0040	S.S.C.	115	1.55
10	45	.0028	S.S.C.	140	2.6
9	45	.0028	S.S.C.	152	3.2
7	45	.0028	S.S.C.	225	6.1
3	44	.0032	S.S.C.	291	14
3	46	.0024	S.S.C.	420	36





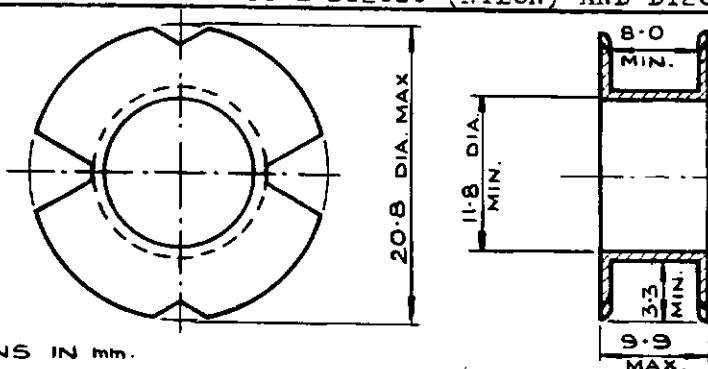
# PROVISIONAL DATA SHEET

## MULLARD LTD. Component Division

Mullard House, Torrington Place, London, W.C.1.

Telephone : LANgham 6633

WINDING DATA FOR COIL FORMER TYPE DT2010 (NYLON) AND DT2083 (POLYSTYRENE)



For use with  
25 mm Vinkor  
Pot Core  
Assemblies.

ALL DIMENSIONS IN mm.

ENAMELLED COPPER WIRE TO B.S.1844 (FINE COVERING)							
S.W.G.	CU. DIA "	TURNS	RES Ω	S.W.G.	CU. DIA "	TURNS	RES Ω
20	.036	24	0.032	34	.0092	370	7.8
21	.032	27	0.044	35	.0084	435	11
22	.028	40	0.088	36	.0076	530	16
23	.024	60	0.185	37	.0068	645	25
24	.022	65	0.23	38	.0060	855	43
25	.020	87	0.38	39	.0052	1100	72
26	.018	96	0.51	40	.0048	1290	99
27	.0164	122	0.79	41	.0044	1500	135
28	.0148	156	1.25	42	.0040	1810	200
29	.0136	168	1.55	43	.0036	2250	310
30	.0124	207	2.4	44	.0032	2800	490
31	.0116	238	3.1	45	.0028	3650	830
32	.0108	271	4.1	46	.0024	4850	1500
33	.0100	310	5.5	47	.0020	7100	3100

SILK COVERED BUNCHED ENAMELLED COPPER CONDUCTORS TO B.S.1258					
STRANDS	S.W.G.	STR. DIA "	INSUL.	TURNS	RES Ω
81	43	.0036	D.S.C.	12	0.020
350	48	.0016	D.S.C.	12	0.024
315	48	.0016	D.S.C.	19	0.041
81	44	.0032	D.S.C.	21	0.044
280	48	.0016	D.S.C.	21	0.051
252	48	.0016	D.S.C.	21	0.057
81	45	.0028	D.S.C.	22	0.061
224	48	.0016	D.S.C.	22	0.067
200	48	.0016	D.S.C.	24	0.082
180	48	.0016	D.S.C.	34	0.130
48	44	.0032	D.S.C.	34	0.120
160	48	.0016	D.S.C.	36	0.155
140	48	.0016	D.S.C.	38	0.185
30	43	.0036	S.S.C.	42	0.19
81	47	.0020	D.S.C.	55	0.30
30	44	.0032	S.S.C.	57	0.33
100	48	.0016	D.S.C.	60	0.41
30	45	.0028	S.S.C.	81	0.60
81	48	.0016	D.S.C.	81	0.69
30	46	.0024	S.S.C.	105	1.05
19	45	.0028	S.S.C.	112	1.2
30	47	.0020	S.S.C.	148	2.2
7	42	.0040	S.S.C.	180	2.8
10	45	.0028	S.S.C.	189	4.2
9	45	.0028	S.S.C.	220	5.7
7	45	.0028	S.S.C.	297	9.5
3	44	.0032	S.S.C.	415	24
3	46	.0024	S.S.C.	640	65



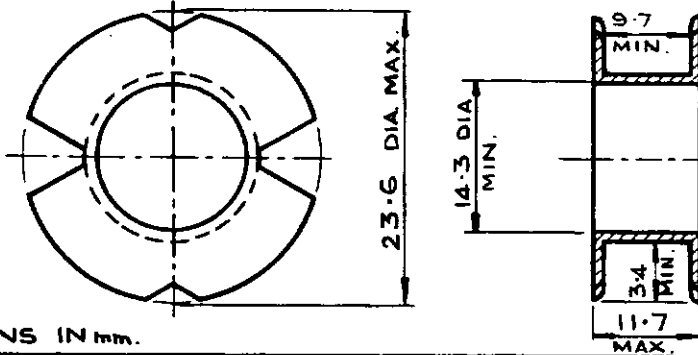
# PROVISIONAL DATA SHEET

## MULLARD LTD. Component Division

Mullard House, Torrington Place, London, W.C.1.

Telephone : LANgham 6633

WINDING DATA FOR COIL FORMER TYPE DT2011 (NYLON) AND DT2084 (POLYSTYRENE)



For use with  
30 mm Vinkor  
Pot Core  
Assemblies.

ALL DIMENSIONS IN mm.

ENAMELLED COPPER WIRE TO B.S.1844 (FINE COVERING)							
S.W.G.	CU. DIA "	TURNS	RES Ω	S.W.G.	CU. DIA "	TURNS	RES Ω
20	.036	28	0.042	34	.0092	465	11.5
21	.032	44	0.088	35	.0084	550	16
22	.028	50	0.125	36	.0076	665	24
23	.024	72	0.25	37	.0068	810	36
24	.022	80	0.33	38	.0060	1070	62
25	.020	105	0.53	39	.0052	1390	105
26	.018	136	0.86	40	.0048	1620	145
27	.0164	147	1.10	41	.0044	1890	200
28	.0148	188	1.75	42	.0040	2250	290
29	.0136	229	2.5	43	.0036	2850	450
30	.0124	260	3.5	44	.0032	3500	710
31	.0116	298	4.5	45	.0028	4600	1200
32	.0108	340	6.0	46	.0024	6100	2200
33	.0100	390	8.1	47	.0020	8900	4600

SILK COVERED BUNCHED ENAMELLED COPPER CONDUCTORS TO B.S.1258					
STRANDS	S.W.G.	STR. DIA "	INSUL.	TURNS	RES Ω
81	43	.0036	D.S.C.	22	0.043
350	48	.0016	D.S.C.	22	0.050
315	48	.0016	D.S.C.	24	0.061
81	44	.0032	D.S.C.	25	0.061
280	48	.0016	D.S.C.	25	0.071
252	48	.0016	D.S.C.	27	0.085
81	45	.0028	D.S.C.	27	0.087
224	46	.0016	D.S.C.	27	0.096
200	48	.0016	D.S.C.	30	0.120
180	48	.0016	D.S.C.	42	0.185
48	44	.0032	D.S.C.	42	0.175
160	48	.0016	D.S.C.	44	0.22
140	48	.0016	D.S.C.	46	0.26
30	43	.0036	S.S.C.	62	0.32
81	47	.0020	D.S.C.	65	0.41
30	44	.0032	S.S.C.	70	0.46
100	48	.0016	D.S.C.	72	0.57
30	45	.0028	S.S.C.	96	0.83
81	48	.0016	D.S.C.	96	0.94
30	46	.0024	S.S.C.	129	1.50
19	45	.0028	S.S.C.	136	1.85
30	47	.0020	S.S.C.	176	3.0
7	42	.0040	S.S.C.	216	3.9
10	45	.0028	S.S.C.	255	6
9	45	.0028	S.S.C.	280	8
7	45	.0028	S.S.C.	400	15
3	44	.0032	S.S.C.	550	36
3	46	.0024	S.S.C.	820	96



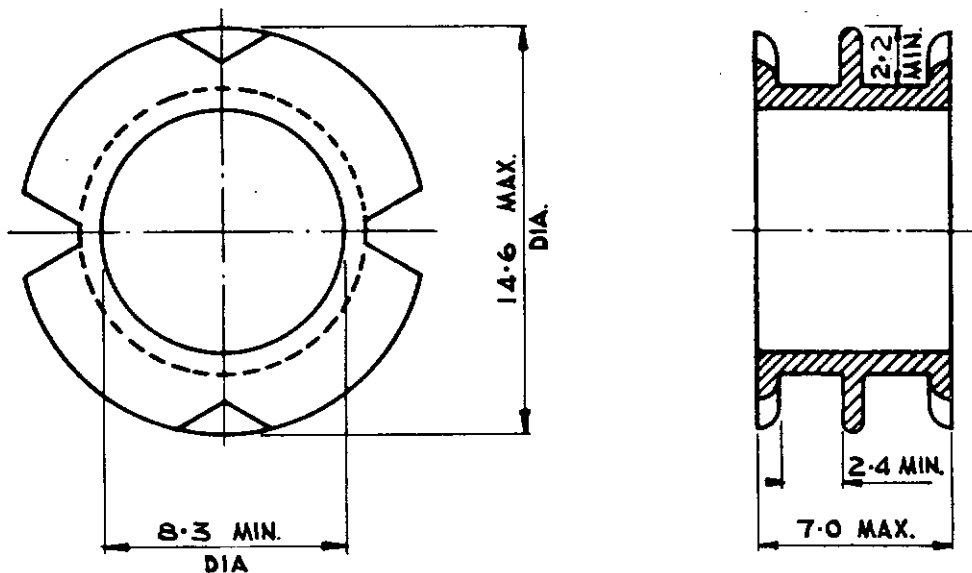
# PROVISIONAL DATA SHEET

## MULLARD LTD. Component Division

Mullard House, Torrington Place, London, W.C.1.

Telephone : LAngham 6633

### MULTI-SECTION COIL FORMERS FOR 18 mm VINKOR POT CORE ASSEMBLIES



Dimensions in millimetres

These coil formers are manufactured in polystyrene or low water absorption nylon.

Maximum working temperature of nylon = 130°C

Maximum working temperature of polystyrene = 80°C

TYPE No.	MATERIAL
DT 2059	NYLON
DT 2073	POLYSTYRENE

For single section coil former see data sheet DSC 72.



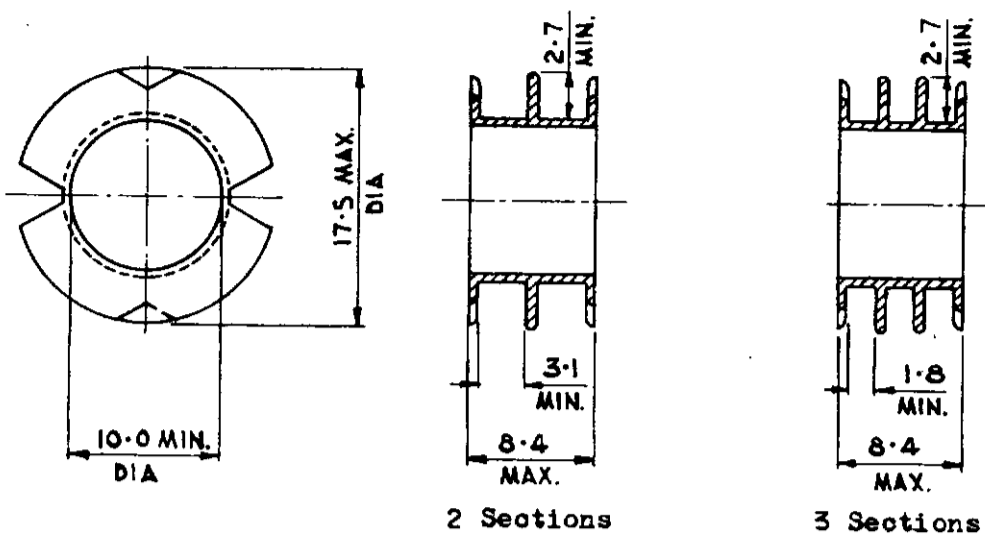
# PROVISIONAL DATA SHEET

## MULLARD LTD. Component Division

Mullard House, Torrington Place, London, W.C.1.

Telephone : LANgham 6633

### MULTI-SECTION COIL FORMERS FOR 21 mm VINKOR POT CORE ASSEMBLIES



All dimensions in millimetres

These coil formers are manufactured in polystyrene or low water absorption nylon.

Maximum working temperature of nylon = 130°C

Maximum working temperature of polystyrene = 80°C



# PROVISIONAL DATA SHEET



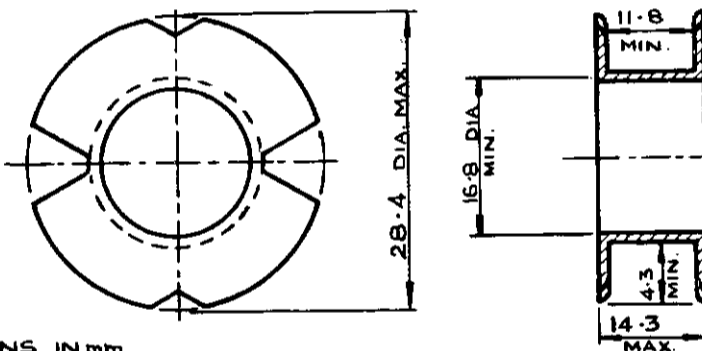
# PROVISIONAL DATA SHEET

## MULLARD LTD. Component Division

Mullard House, Torrington Place, London, W.C.1.

Telephone : LANgham 6633

### WINDING DATA FOR COIL FORMER TYPE DT2012 (NYLON) AND DT2085 (POLYSTYRENE)



For use with 35 mm Vinkor Pot Core Assemblies.

ALL DIMENSIONS IN mm.

ENAMELLED COPPER WIRE TO B.S.1844 (FINE COVERING)							
S.W.G.	CU. DIA "	TURNS	RES Ω	S.W.G.	CU. DIA "	TURNS	RES Ω
20	.036	48	0.088	34	.0092	720	21
21	.032	67	0.16	35	.0084	850	30
22	.028	77	0.23	36	.0076	1030	44
23	.024	108	0.45	37	.0068	1260	67
24	.022	136	0.68	38	.0060	1660	115
25	.020	168	1.05	39	.0052	2100	195
26	.018	188	1.4	40	.0048	2500	270
27	.0164	234	2.1	41	.0044	2900	370
28	.0148	290	3.2	42	.0040	3500	540
29	.0136	340	4.5	43	.0036	4450	840
30	.0124	400	6.4	44	.0032	5400	1300
31	.0116	460	8.4	45	.0028	7100	2200
32	.0108	525	11.0	46	.0024	9400	4000
33	.0100	605	15.0	47	.0020	13700	8500

SILK COVERED BUNCHED ENAMELLED COPPER CONDUCTORS TO B.S. 1258					
STRANDS	S.W.G.	STR. DIA "	INSUL.	TURNS	RES Ω
81	43	.0036	D.S.C.	27	0.063
350	48	.0016	D.S.C.	28	0.076
315	48	.0016	D.S.C.	40	0.120
81	44	.0032	D.S.C.	42	0.125
280	48	.0016	D.S.C.	42	0.145
252	48	.0016	D.S.C.	44	0.165
81	45	.0028	D.S.C.	46	0.175
224	48	.0016	D.S.C.	46	0.195
200	48	.0016	D.S.C.	60	0.29
180	48	.0016	D.S.C.	62	0.33
48	44	.0032	D.S.C.	65	0.32
160	48	.0016	D.S.C.	67	0.40
140	48	.0016	D.S.C.	87	0.59
30	43	.0036	S.S.C.	93	0.59
81	47	.0020	D.S.C.	96	0.72
30	44	.0032	S.S.C.	122	0.98
100	48	.0016	D.S.C.	126	1.2
30	45	.0028	S.S.C.	160	1.7
81	48	.0016	D.S.C.	160	1.9
30	46	.0024	S.S.C.	180	2.5
19	45	.0028	S.S.C.	240	4.0
30	47	.0020	S.S.C.	270	5.5
7	42	.0040	S.S.C.	325	7.1
10	45	.0028	S.S.C.	370	12
9	45	.0028	S.S.C.	440	15
7	45	.0028	S.S.C.	600	27
3	44	.0032	S.S.C.	855	68
3	46	.0024	S.S.C.	1290	180



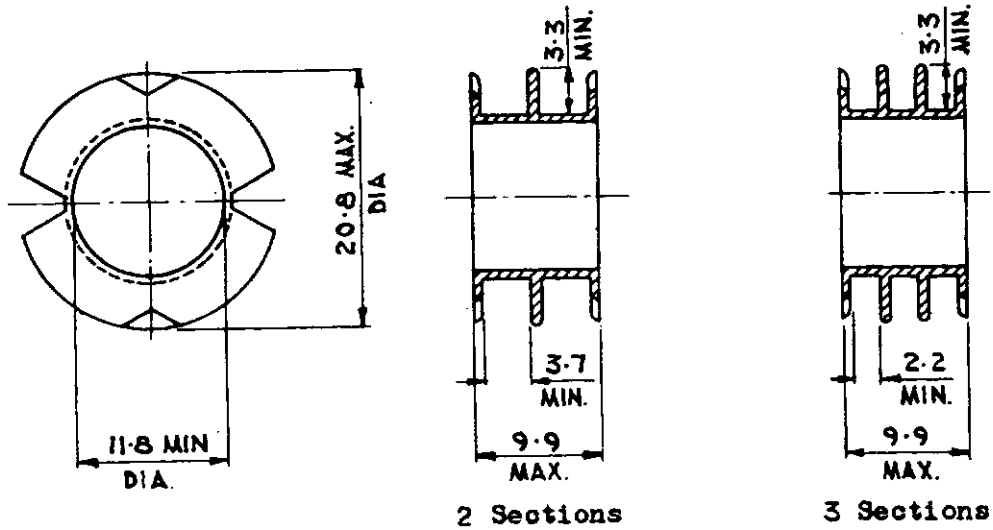
# PROVISIONAL DATA SHEET

## MULLARD LTD. Component Division

Mullard House, Torrington Place, London, W.C.1.

Telephone : LAngham 6633

### MULTI-SECTION COIL FORMERS FOR 25 mm VINKOR POT CORE ASSEMBLIES



All dimensions in millimetres

These coil formers are manufactured in polystyrene or low water absorption nylon.

Maximum working temperature of nylon = 130°C

Maximum working temperature of polystyrene = 80°C

Type No.	Description	Material
DT 2061	2 Sections	Nylon
DT 2075		Polystyrene
DT 2056	3 Sections	Nylon
DT 2070		Polystyrene

For single section coil former see data sheet DSC 74



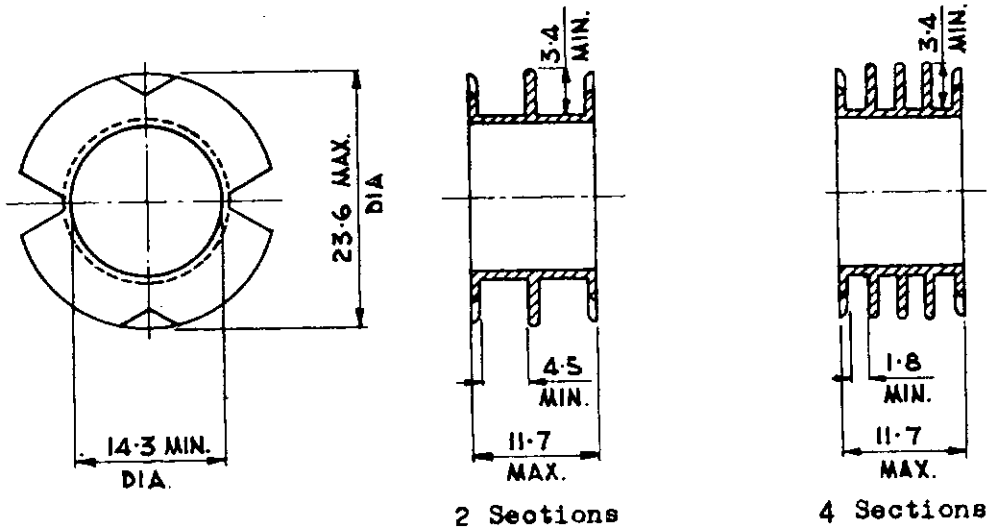
# PROVISIONAL DATA SHEET

## MULLARD LTD. Component Division

Mullard House, Torrington Place, London, W.C.1.

Telephone : LAngham 6633

### MULTI-SECTION COIL FORMERS FOR 30 mm VINKOR POT CORE ASSEMBLIES



All dimensions in millimetres

These coil formers are manufactured in polystyrene or low water absorption nylon.

Maximum working temperature of nylon = 130°C

Maximum working temperature of polystyrene = 80°C

Type No.	Description	Material
DT 2062	2 Sections	Nylon
DT 2076		Polystyrene
DT 2052	4 Sections	Nylon
DT 2066		Polystyrene

For single section coil former see data sheet DSC 75



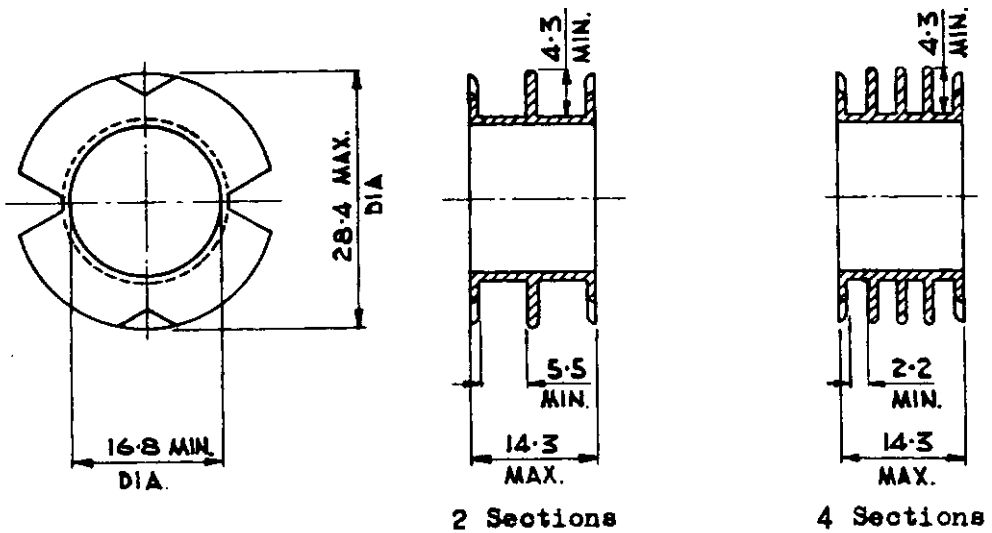
# PROVISIONAL DATA SHEET

## MULLARD LTD. Component Division

Mullard House Torrington Place, London, W.C.1.

Telephone : LANGHAM 6633

### MULTI-SECTION COIL FORMERS FOR 35 mm VINKOR POT CORE ASSEMBLIES



All dimensions in millimetres

These coil formers are manufactured in polystyrene or low water absorption nylon.

Maximum working temperature of nylon = 130°C

Maximum working temperature of polystyrene = 80°C

Type No.	Description	Material
DT 2063	2 Sections	Nylon
DT 2077		Polystyrene
DT 2053	4 Sections	Nylon
DT 2067		Polystyrene

For single section coil former see data sheet DSC 76

**MULLARD LTD. Component Division**

Mullard House, Torrington Place, London, W.C.1.

Telephone : LANgham 6633

VINKOR ADJUSTABLE POT CORESAssembly and Adjustment

The following procedure is recommended to ensure a stable pot core assembly.

- (1) Clean the mating surfaces of the Ferroxcube cores. This should be done without abrasion. Trichlorethylene applied on chamois leather or other lint-free material is satisfactory.
- (2) Insert the wound coil, preferably un-impregnated, and bring the leads radially out of the appropriate slots.
- (3) If the lead out wires are robust, lay the tagboard on the studded end of the Ferroxcube pot core so that the two locating pips are inserted into the slots in the Ferroxcube. The datum pip between two of the tags should be so orientated that the lead out wires may be taken directly to the tags specified on the wiring diagram. These connections may now be made and soldered, and the core with its tagboard inserted, tagboard first, into the container so that the recesses of the tagboard locate onto the rolled rim of the container.

An alternative procedure, if the lead out wires are fragile, is first to insert the tag board into the container, ensuring that it is correctly located on the rolled rim of the container. The lead out wires are then directed axially out of slots in the studded end of the pot core. They are then carefully threaded through the appropriate slots while the pot core is inserted into the container. The lead out wires may then be cut to length, tinned and soldered onto the specified tags. There is ample space for this operation.

- (4) Place the conical spring onto the open end of the pot core, so that the periphery of the spring is in contact with the Ferroxcube.
- (5) Insert the appropriate assembly plug through the central hole until its shoulder rests on the Ferroxcube. This ensures axial alignment of the two core halves and the spring.
- (6) Insert the locking plate on top of the spring and with a bayonet action rotate it through one eighth of a turn. The locking tab on the edge of the container may now be pressed into the adjacent slot in the locking plate.
- (7) Screw the short (unslotted) end of the fixing bush into the locking plate until the flange on the bush bottoms onto the locking plate. The spring is now correctly compressed and the pot core is ready for an inductance check. Before a measurement of inductance is made it is important to remove the assembly plug. It may be preferred to have the fixing bush partly screwed into the locking plate before assembly. There is no reason why this should not be so, provided that the inner end of the bush does not project beyond the surface of the locking plate.

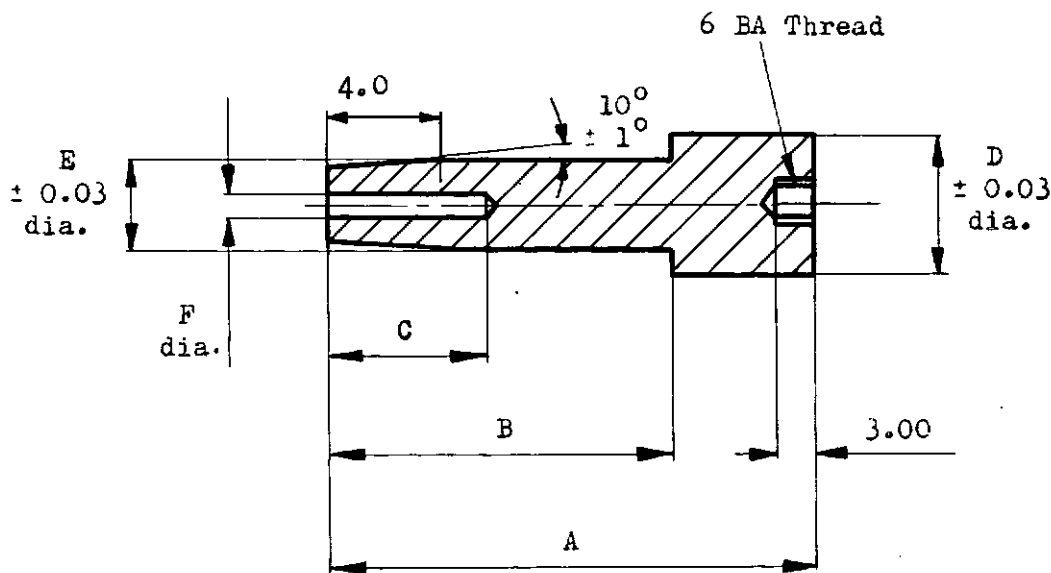


For a permanent assembly which is not receiving varnish impregnation it is recommended that a screw locking compound is applied to the bush/locking plate thread.

- (8) If the pot core assembly is to be impregnated then the assembly plug should be replaced with one that has been covered with a suitable releasing agent such as silicone grease. It should be secured in position e.g. by passing binding wire across the slot in the fixing bush. The thread on the fixing bush should also be protected.
- (9) After impregnation the assembly plug may be extracted using a 6BA screw as an extractor.
- (10) Adjustment. Prior to this operation the adjuster has not been involved in the assembly. To avoid accidental damage it should not be screwed in and out of the pot core before the latter is ready for adjustment.

Insert the adjuster, screw-driver end uppermost, into the central hole. Using the screw-driver supplied, screw the adjuster down (clock-wise) until it reaches the bottom of its travel or until it has reached the approximate mid-range position (found by experience and reference to the appropriate adjustment curve). Adjust the position of the adjuster until the required inductance or resonance frequency is obtained.

Adjustment may either be carried out before incorporating the pot core with its associated equipment or it may be preferred to adjust it in situ.



All dimensions in millimetres  
Tolerances  $\pm 0.15$  unless otherwise stated  
Material: Mild Steel

Type Number	A	B	C	D	E	F	Size Pot Core
DT 2032	19.50	11.0	5.50	5.90	4.55	1.20	18 mm
DT 2033	22.00	13.40	6.50	5.90	4.55	1.20	21 mm
DT 2034	24.70	15.80	7.50	5.90	5.34	1.50	25 mm
DT 2035	27.70	18.60	8.50	8.70	5.34	1.50	30 mm
DT 2036	32.00	22.60	10.50	8.70	5.34	1.50	35 mm